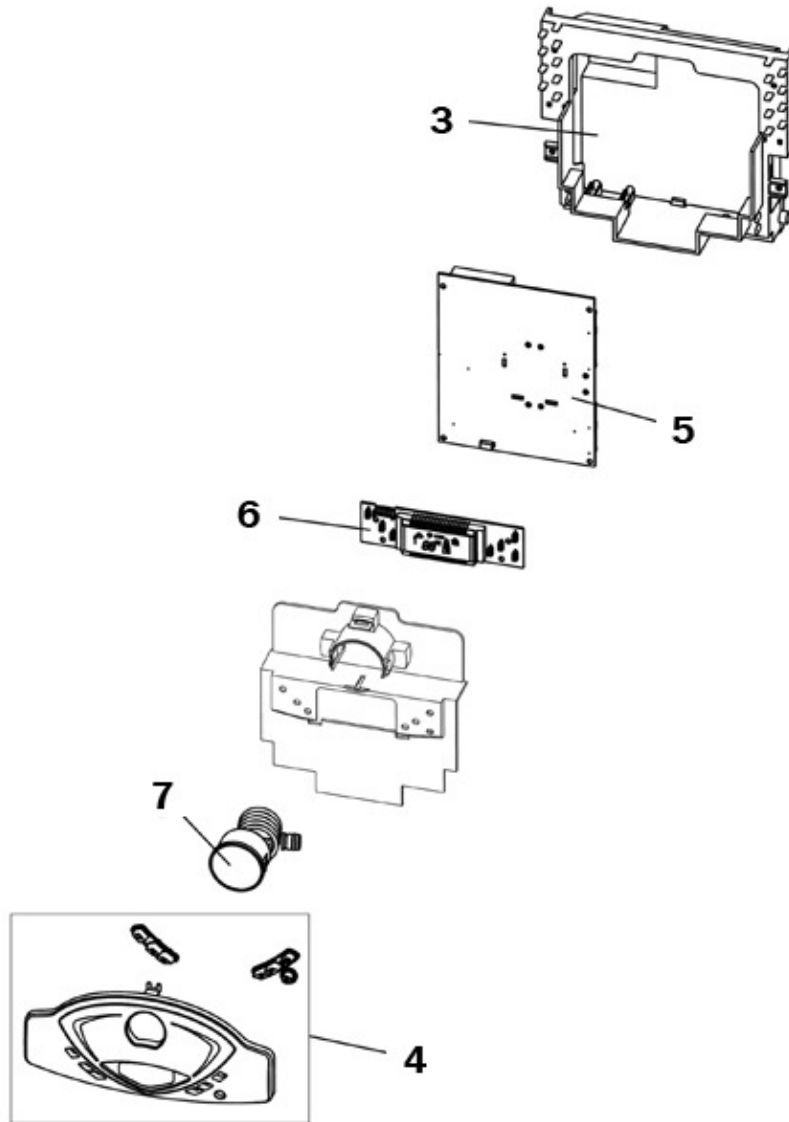
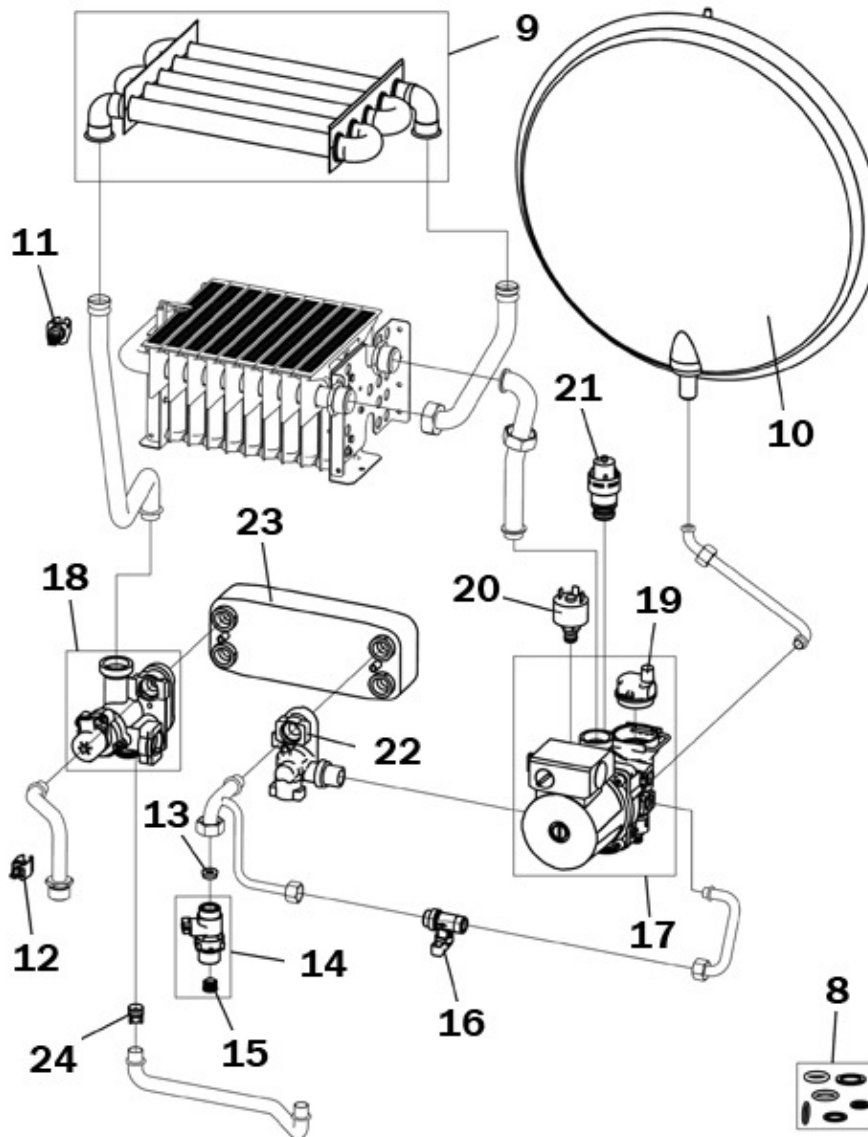


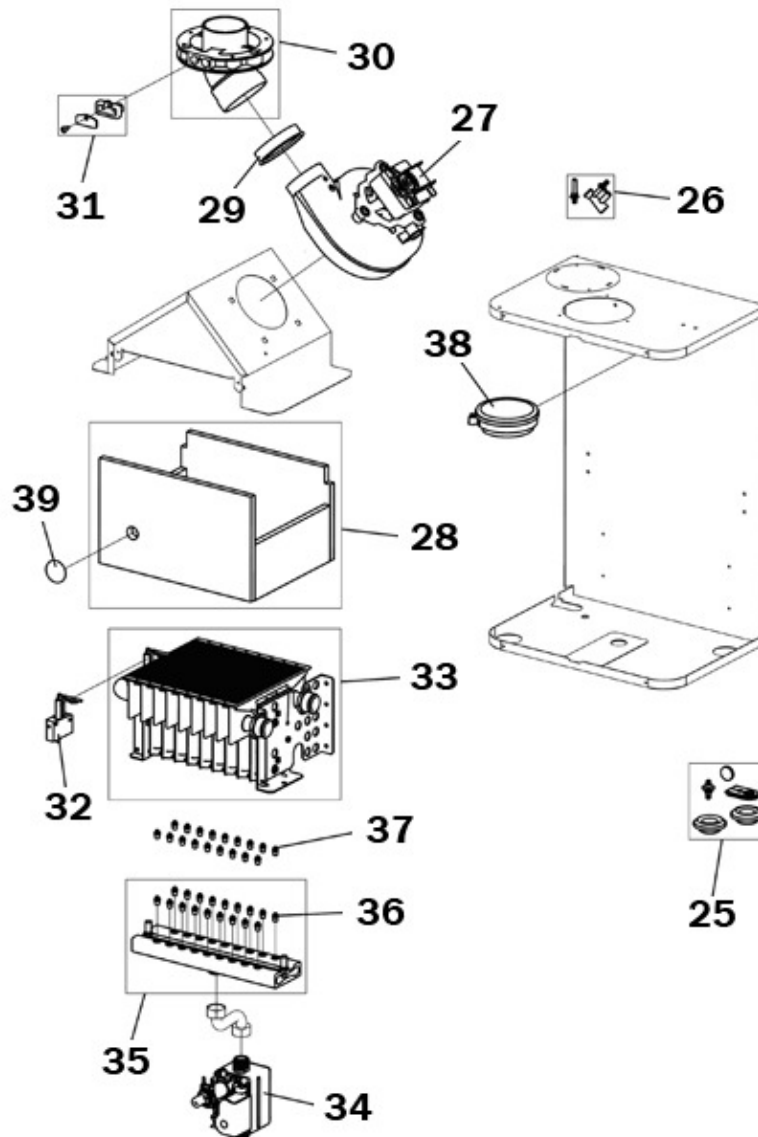
| Pos. | Codice | Descrizione | Prezzo € | Note |
|------|-----------|-------------------------------|-------------|------|
| 1 | F39835660 | KIT MANTELLO "Lam"(3110F660) | 126,10 | |
| 2 | F39835670 | KIT GRIGLIA INFER. (3110G200) | N.D. | |



| Pos. | Codice | Descrizione | Prezzo € | Note |
|------|-----------|--------------------------------|-------------|------|
| 3 | F39834980 | KIT SCATOLA EL."Lam"(35013850) | 57,10 | |
| 4 | F39834990 | KIT MASCHERINA "Lam"(35013580) | 65,30 | |
| 5 | F39835690 | KIT CENTRALINA EL. (36508660) | 160,70 | |
| 6 | F39835010 | KIT SCHEDA EL.DSP10 (38323580) | 64,70 | |
| 7 | F39820080 | KIT IDROMETRO (36402190) | 19,50 | |



| Pos. | Codice | Descrizione | Prezzo € | Note |
|------|-----------|---------------------------------|-------------|------|
| 8 | F39836470 | KIT GUARN.CALD. Fm.AD | 8,40 | |
| 9 | F39820420 | KIT SCAMB.MONOTERM. (37404080) | 286,30 | |
| 10 | F39800960 | KIT VASO ESP.8LT. (36800360) | 66,90 | |
| 11 | F39819550 | KIT SONDA TEMP. (36200730) | 15,10 | |
| 12 | F39810230 | KIT SONDA TEMP.SAN. (36200640) | 10,40 | |
| 13 | F39813010 | KIT 5 REG.PORT.10Lt.(36902080) | 18,10 | |
| 14 | F39820450 | KIT FLUSSOM.ELTEK (36402180) | 34,00 | |
| 15 | F39812310 | KIT N°5 FILTRI H2O (35007480) | 6,60 | |
| 16 | F39808980 | KIT RUB.3/8" Tp.5014(36901470) | 14,10 | |
| 17 | F39818450 | KIT POMPA AO/FX3FPL (36600100) | 159,90 | |
| 18 | F39820441 | KIT VALV.3VIE (36902240) | 96,20 | |
| 19 | F39818220 | KIT V.ARIA (39404380-39404730) | 38,50 | |
| 20 | F39818260 | KIT PRESSOST.H2O (39404710) | 13,30 | |
| 21 | F39818270 | KIT VALV.SIC. (39404720) | 11,00 | |
| 22 | F39830560 | KIT RACC.SCAMB.L.R. (36902250) | 13,80 | |
| 23 | F398D4780 | KIT SCAMB.I.=172"Lej"(37404360) | 89,50 | |
| 24 | F39818790 | KIT 10 VALV.N/R. (36902190) | 40,70 | |



| Pos. | Codice | Descrizione | Prezzo € | Note |
|------|-----------|----------------------------------|-------------|--------------------------|
| 25 | F39828430 | KIT GUARN.e VETRINO Sr.ACR4 | N.D. | |
| 26 | F39808471 | KIT PRESE (35101310-35101323) | 4,30 | |
| 27 | F39817550 | KIT VENTIL. (36601851) | 71,60 | |
| 28 | F39828440 | KIT ISOL.CAM.COMB.Sr.ACA4-ACR4 | N.D. | |
| 29 | F398D3810 | KIT GUARN.VENT. "Lej" (35102280) | 4,70 | |
| 30 | F398D3800 | KIT FLANGIA FM. "Lej" (32119921) | 23,60 | |
| 31 | F398D3830 | KIT LAM.P.FUMI "Lej" (32119910) | 6,00 | |
| 32 | F39828390 | KIT GRUPPO ELETTRODI(36702910) | 17,00 | |
| 33 | F39828380 | KIT BRUC.9R.Low nox (37609080) | N.D. | |
| 34 | F39812190 | KIT VALV.VGU 54A1109(36800400) | 91,60 | |
| 35 | F39828400 | KIT COLLET.UG.1,00 (3840M810) | N.D. | |
| 36 | F39828360 | KIT 18 UG.1,00 m. (34009561) | N.D. | |
| 37 | F39828370 | KIT 18 UG.0,62 gpl (34013340) | N.D. | |
| 38 | F39828420 | KIT TRASDUTT.PRESS. (36402290) | 52,20 | |
| 39 | F39811330 | KIT SPIA SILICONE (35102690) | 7,30 | Sostituisce il F398D0380 |
| 39 | F398D0380 | KIT SPIA SILIC. "Lej" (35102230) | 6,30 | Sostituito da F39811330 |