



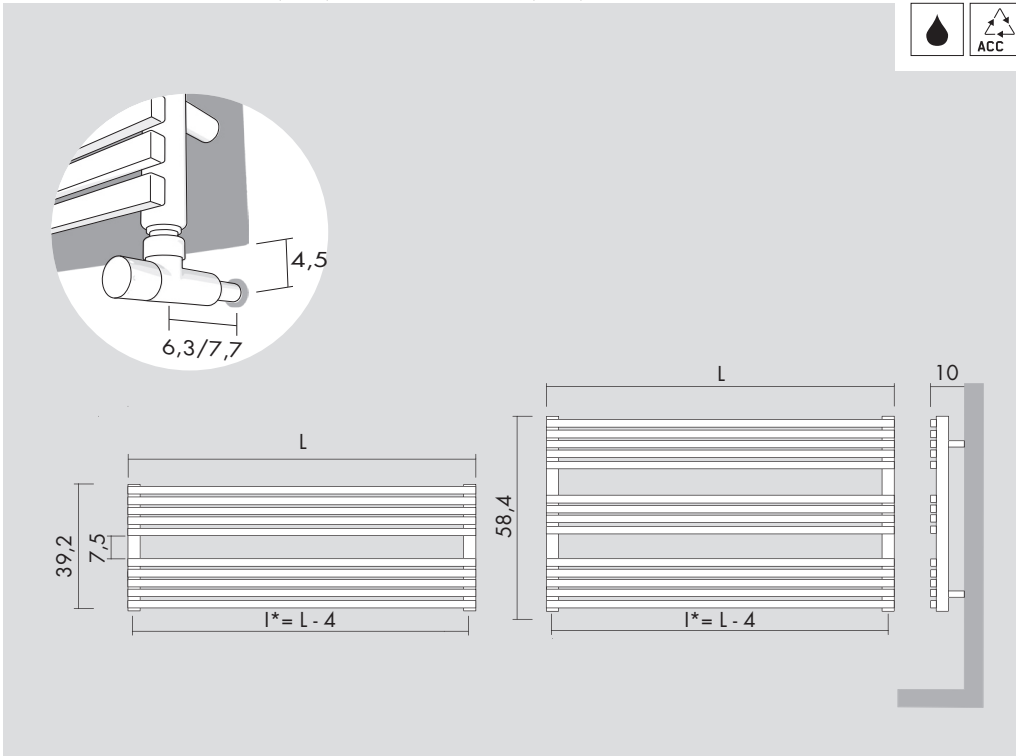
BDO H₂O



Kcal = Watt x 0.860
BTU = Watt x 3.413

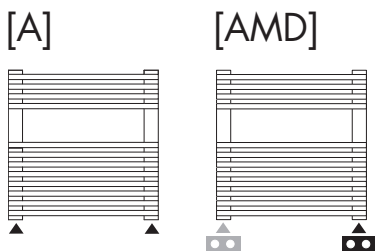
Watt Δt 60° = Watt Δt 50° x 1.255
Watt Δt 40° = Watt Δt 50° x 0.758
Watt Δt 30° = Watt Δt 50° x 0.530
Watt Δt 20° = Watt Δt 50° x 0.320

p max = 10.0 bar

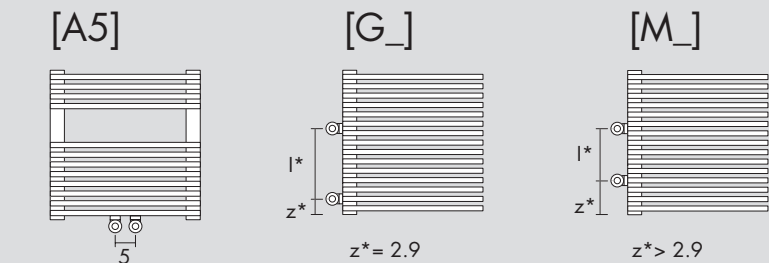


| H cm | L cm | I* cm | art* | lt* | watt Δt 30° | watt Δt 50° |
|------|-------|-------|----------------------|-----|-------------|-------------|
| 39.2 | 120.0 | 116.0 | HB20S0120039_ | 4.4 | 255 | 481 |
| 39.2 | 140.0 | 136.0 | HB20S0140039_ | 5.0 | 297 | 561 |
| 39.2 | 160.0 | 156.0 | HB20S0160039_ | 5.6 | 340 | 641 |
| 58.4 | 120.0 | 116.0 | HB20S0120058_ | 6.2 | 357 | 673 |
| 58.4 | 140.0 | 136.0 | HB20S0140058_ | 7.0 | 416 | 785 |
| 58.4 | 160.0 | 156.0 | HB20S0160058_ | 7.8 | 476 | 898 |

Standard connection / Raccord standard
Standard Anschluss / Conexión estándar



Special connection / Raccord spéciale / Speziell Anschluss / Conexión especial



Replace _ with connection S (Left) or D (Right). / Remplacer le _ avec raccordement S (Gauche) ou D (Droite). /
Um linker oder rechter Anschluss zu bestellen, bitte das Symbol _ mit S (links) oder D (rechts) ersetzen. /
Sustituir el _ con las conexiones S (Izquierda) o D (Derecha).

Optional

| | | | | |
|--|---|---|---|--|
| <p>(P* = 224)</p> | <p>(P* = 226)</p> | <p>(I* = 5 cm)</p> | <p>∅ ≤ 16 mm [BIAN] CTB [CROM] CTR</p> <p>16 mm < ∅ < 24 mm [BIAN] CWB [CROM] CWR</p> | <p>(2 pz.) (P* = 220)</p> |
| <p>Angled Valve Vanne équerre Eckausführung Ventil Válvula a escuadra</p> <p>[BIAN] E12SQB [CROM] E12SQR</p> | <p>Thermostatic head Tête thermostatique Thermostatkopf Cabezal termostático</p> <p>[BIAN] TTB [CROM] TTR</p> | <p>Sleeving kit Kit couvre tuyau Rosetten Kit cubre tubo</p> <p>[BIAN] C5B [CROM] C5R</p> | | <p>Towel hooks Paire de patère Crochet das Bugel Percha</p> <p>[INOX] 3A20X</p> |

art* = item / modèle / Artikel / artículo I* = pipe centres / distance entre départ et retour / Achsabstand / distancia entre las conexiones
lt* = water content for each element / volume d'eau pour chaque element / Wassergehalt für Element / contenido de agua por cada elemento
P* = page / page / Seite / página