

# BD Bend

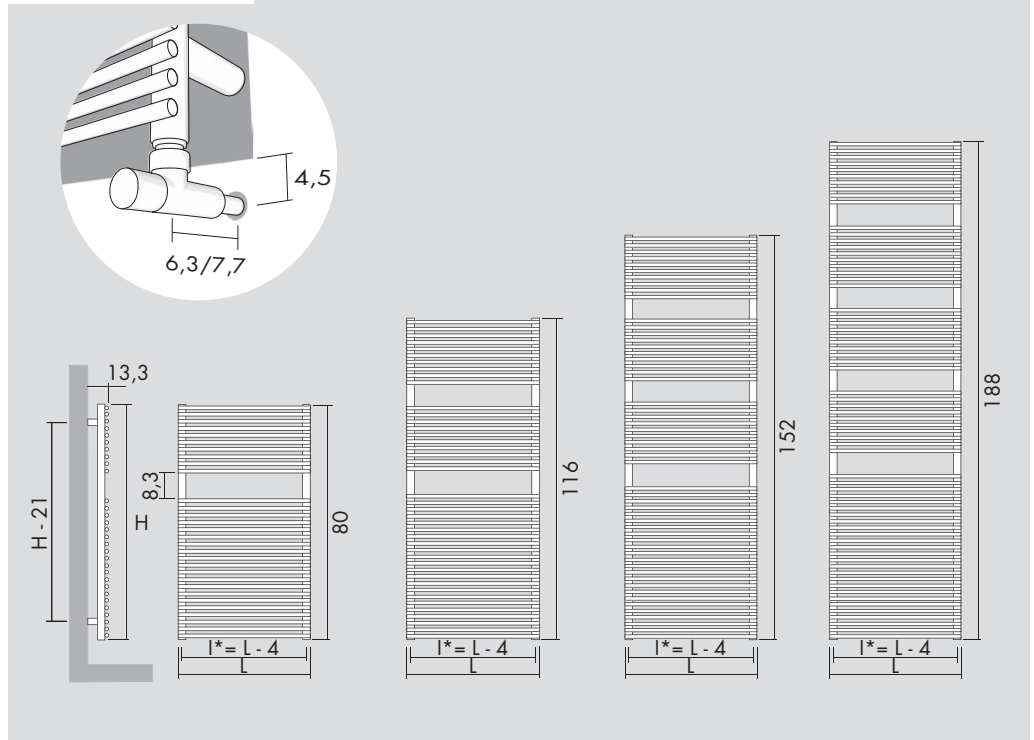
UNI EN 442  $\Delta t$  50° 75°/65°/20° -  $\Delta t$  30° 55°/45°/20°



Kcal = Watt x 0.860  
BTU = Watt x 3.413

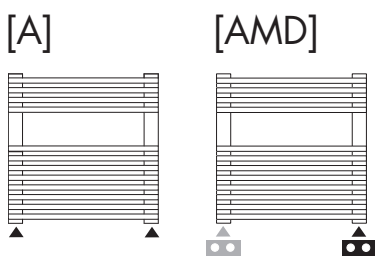
Watt  $\Delta t$  60° = Watt  $\Delta t$  50° x 1.241  
Watt  $\Delta t$  40° = Watt  $\Delta t$  50° x 0.768  
Watt  $\Delta t$  30° = Watt  $\Delta t$  50° x 0.546  
Watt  $\Delta t$  20° = Watt  $\Delta t$  50° x 0.338

p max = 10.0 bar

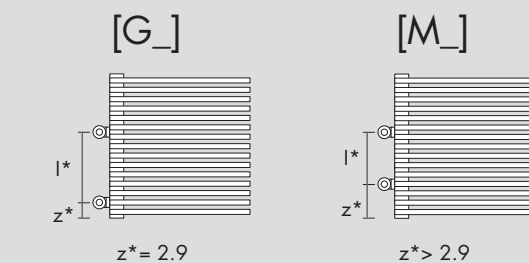


H cm	L cm	I* cm	art*	Lt*	watt $\Delta t$ 30°	watt $\Delta t$ 50°	watt $\Delta t$ 30°	watt $\Delta t$ 50°
80.0	49.5	45.0	<b>BS13S049080</b>	3.5	264	<b>484</b>	177	<b>324</b>
80.0	59.5	55.0	<b>BS13S059080</b>	3.9	316	<b>579</b>	212	<b>388</b>
116.0	49.5	45.0	<b>BS13S049116</b>	5.0	367	<b>673</b>	246	<b>451</b>
116.0	59.5	55.0	<b>BS13S059116</b>	5.6	440	<b>805</b>	294	<b>539</b>
152.0	49.5	45.0	<b>BS13S049152</b>	6.5	468	<b>858</b>	314	<b>575</b>
152.0	59.5	55.0	<b>BS13S059152</b>	7.2	560	<b>1 026</b>	376	<b>688</b>
188.0	49.5	45.0	<b>BS13S049188</b>	8.0	568	<b>1 041</b>	381	<b>697</b>
188.0	59.5	55.0	<b>BS13S059188</b>	8.9	680	<b>1 245</b>	455	<b>834</b>

Standard connection / Raccord standard  
Standard Anschluss / Conexión estándar



Special connection / Raccord spéciale / Speziell Anschluss / Conexión especial



Replace \_ with connection S (Left) or D (Right). / Remplacer le \_ avec raccordement S (Gauche) ou D (Droite). /  
Um linker oder rechter Anschluss zu bestellen, bitte das Symbol \_ mit S (links) oder D (rechts) ersetzen. /  
Sustituir el \_ con las conexiones S (Izquierda) o D (Derecha).


art\* = item / modèle / Artikel / artículo    I\* = pipe centres / distance entre depart et retour / Achsabstand / distancia entre las conexiones  
Lt\* = water content for each element / volume d'eau pour chaque element / Wassergehalt für Element / contenido de agua por cada elemento

Dual application with schuko plug / Version mixte avec prise schuko /  
Kombimodell mit Schukosteckdose / Versión mixta con enchufe schuko

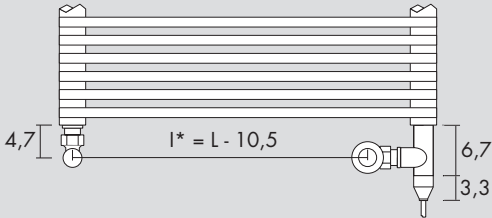
H cm	L cm	l* cm	art*	lit*	watt Δt 30°	watt Δt 50°	watt
80.0	49.5	38.5	<b>MC BS135049080</b>	3.5	264	<b>484</b>	500
80.0	59.5	48.5	<b>MC BS135059080</b>	3.9	316	<b>579</b>	500
116.0	49.5	38.5	<b>MC BS135049116</b>	5.0	367	<b>673</b>	700
116.0	59.5	48.5	<b>MC BS135059116</b>	5.6	440	<b>805</b>	700
152.0	49.5	38.5	<b>MC BS135049152</b>	6.5	468	<b>858</b>	700
152.0	59.5	48.5	<b>MC BS135059152</b>	7.2	560	<b>1 026</b>	1 000
188.0	49.5	38.5	<b>MC BS135049188</b>	8.0	568	<b>1 041</b>	1 000
188.0	59.5	48.5	<b>MC BS135059188</b>	8.9	680	<b>1 245</b>	1 000

watt Δt 30°	watt Δt 50°	watt
177	<b>324</b>	350
212	<b>388</b>	350
246	<b>451</b>	500
294	<b>539</b>	500
314	<b>575</b>	500
376	<b>688</b>	700
381	<b>697</b>	700
455	<b>834</b>	700


### Standard



Heating element  
Résistance  
Heizstab  
Resistencia




### Optional



Receiver  
Récepteur  
Empfänger  
Receptor

**R10 • 100**



ECODESIGN  
Digital chronothermostat  
Chronothermostat digital  
Der digital Chronothermostat  
Cronotermostato digital

**T11 • 130**

Dual electric element with thermostat / Mixte résistance avec thermostat /  
Kombimodell mit Raumthermostat / Versión mixta con termostato ambiente

H cm	L cm	l* cm	art*	lit*	watt Δt 30°	watt Δt 50°	watt
80.0	49.5	38.5	<b>MT BS135049080</b>	3.5	264	<b>484</b>	500
80.0	59.5	48.5	<b>MT BS135059080</b>	3.9	316	<b>579</b>	500
116.0	49.5	38.5	<b>MT BS135049116</b>	5.0	367	<b>673</b>	700
116.0	59.5	48.5	<b>MT BS135059116</b>	5.6	440	<b>805</b>	700
152.0	49.5	38.5	<b>MT BS135049152</b>	6.5	468	<b>858</b>	700
152.0	59.5	48.5	<b>MT BS135059152</b>	7.2	560	<b>1 026</b>	1 000
188.0	49.5	38.5	<b>MT BS135049188</b>	8.0	568	<b>1 041</b>	1 000
188.0	59.5	48.5	<b>MT BS135059188</b>	8.9	680	<b>1 245</b>	1 000


watt Δt 30°	watt Δt 50°	watt
177	<b>324</b>	350
212	<b>388</b>	350
246	<b>451</b>	500
294	<b>539</b>	500
314	<b>575</b>	500
376	<b>688</b>	700
381	<b>697</b>	700
455	<b>834</b>	700

### Standard



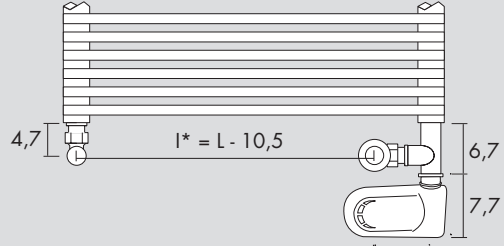
(P\* = 221)

Thermostat  
Thermostat  
Der Thermostat  
Termostato




ECODESIGN

Infrared remote control  
Télécommande infrarouge  
Infrarot-Fernbedienung  
Mando por infrarrojos




### Optional



(P\* = 224)

Angled Valve  
Vanne équerre  
Eckausführung Ventil  
Válvula a escuadra

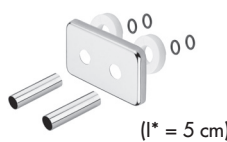
[BIAN] **E12SQB**  
[CROM] **E12SQR**



(P\* = 226)

Thermostatic head  
Tête thermostatique  
Thermostatkopf  
Cabezal termostático

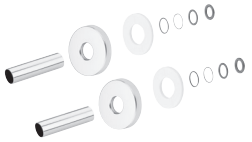
[BIAN] **TTB**  
[CROM] **TTR**



(l\* = 5 cm)

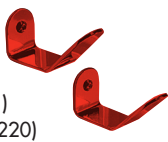
Sleeving kit  
Kit couvre tuyau  
Rosetten  
Kit cubre tubo

[BIAN] **C5B**  
[CROM] **C5R**



Ø ≤ 16 mm  
[BIAN] **CTB**  
[CROM] **CTR**

16 mm < Ø < 24 mm  
[BIAN] **CWB**  
[CROM] **CWR**



(2 pz.)  
(P\* = 220)

Towel hooks  
Paire de patère  
Crochet des Buegel  
Percha

[CROM] **BA13R**  
[COLOUR] **BA13C**  
[GOLD] **BA13G**

art\* = item / modèle / Artikel / artículo    l\* = pipe centres / distance entre depart et retour / Achsabstand / distancia entre las conexiones  
lit\* = water content for each element / volume d'eau pour chaque element / Wassergehalt für Element / contenido de agua por cada elemento  
P\* = page / page / Seite / página