



# flexus

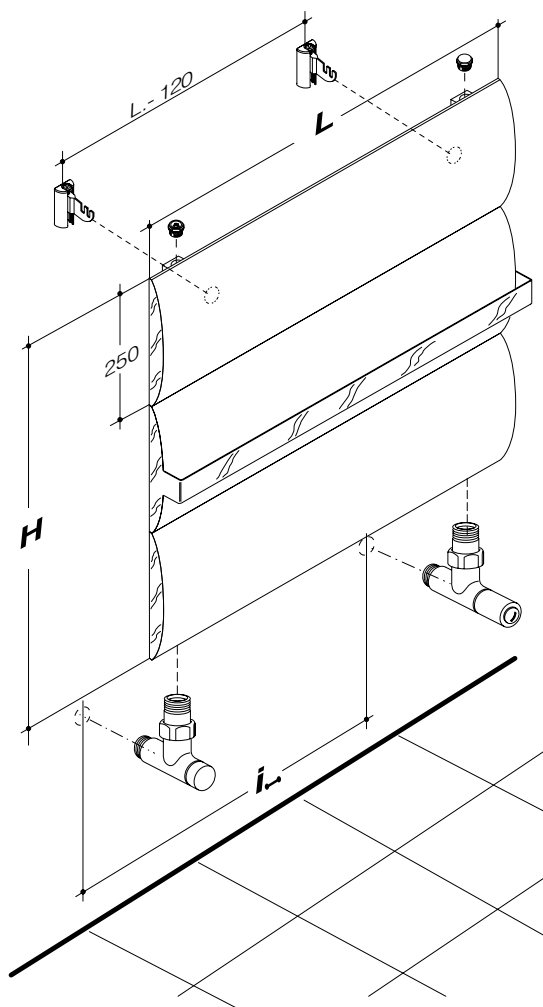


Dimensioni espresse in millimetri  
 Potenza espressa in Watt  
 Radiatore in alluminio  
 Disponibile in versione orizzontale e verticale.

Dimension expressed in millimetres  
 Output expressed in Watt  
 Aluminium radiator  
 Available horizontal and vertical version.

|          | H<br>(mm) | D<br>(mm) | L<br>(mm) | <br>(lt) | <br>(W)        |                | i<br>(mm) | Finiture / Finishing |
|----------|-----------|-----------|-----------|----------|----------------|----------------|-----------|----------------------|
|          |           |           |           |          | $\Delta t$ 50° | $\Delta t$ 30° |           |                      |
| L 750-3  | 750       | 55        | 750       | 1,1      | 538            | 296            | 450       | 690                  |
| L 1000-4 | 1000      | 55        | 1000      | 1,2      | 955            | 525            | 800       | 940                  |
| L 600-6  | 1500      | 55        | 600       | 1,0      | 860            | 473            | 800       | 540                  |
| L 600-7  | 1750      | 55        | 600       | 1,2      | 1003           | 552            | 900       | 540                  |

## FLEXUS L



### KIT VALVOLE VALVES KIT (pag. 124)

| manual | thermostatic |
|--------|--------------|
| 1      | 1T + 14      |
| 2      | 2T + 14      |
| 3      | 3T + 14      |
| 4      |              |
| 5      | 5T           |
| 6      |              |
| 7      | 7            |
| 8      | 8T + 14      |
| 9      | 9T + 14      |
| 10     | 10T + 14     |
| 11     |              |
| 12     |              |
| 13     |              |

● Valvole disponibili/  
 Suitable valves



Kit base di elettrificazione (riempimento e resistenza)  
 Basic Electrification kit (filling and electric element)  
 Termostati / thermostats (pag. 126)

### CONNESSIONI/CONNECTIONS

