

Models:

A5MSX 20 A/AR

A5MSX 25 A/AR

A5MSX 30 A/AR

**ACSON**<sup>®</sup>  
International



**DC Inverter Multi Split**



# Table of Contents

<b>Nomenclature</b> .....	1
Indoor Unit .....	1
Outdoor Unit .....	2
Product Line-Up.....	3
<b>Features</b> .....	5
<b>Application Information</b> .....	6
Operating Range .....	6
Refrigerant Circuit Diagram .....	7
Controller .....	10
Installation Guideline .....	11
<b>Engineering &amp; Physical Data</b> .....	24
General Data .....	24
Component Data.....	32
<b>Performance Data</b> .....	40
Performance Table.....	40
<b>Outline and Dimension</b> .....	43
<b>Electrical Data</b> .....	47
<b>Wiring Diagram</b> .....	51
<b>Service and Maintenance</b> .....	54
<b>Troubleshooting</b> .....	56
<b>Exploded View and Part List</b> .....	60

“McQuay” is a registered trademark of McQuay International. All rights reserved.  
© 2009 McQuay International. All rights reserved throughout the world.

Bulletin illustrations cover the general appearance of McQuay International products at the time of publication.  
We reserve the right to change design and construction specifications at any time without notice.

# Nomenclature

## Indoor Unit

A	5	WM	X	10	G	R
---	---	----	---	----	---	---

Brand	
A	: Acson

Refrigerant	
5	: R410A

Model Name	
WM	: Wall Mounted

Inverter System Type	
X	: X series

Capacity Index	
10	: 10,000 Btu/h
15	: 15,000 Btu/h
20	: 20,000 Btu/h

Chassis	
G	: G series

Model Type	
“ ”	: Omitted if cooling only
R	: Heatpump

## Outdoor Unit

A	5	MS	X	20	A	R
---	---	----	---	----	---	---

Brand	
A	: Acson

Refrigerant	
5	: R410A

Model Name	
MS	: Multi Split Condensing Unit

Inverter System Type	
X	: X series

Capacity Index	
20	: 20,000 Btu/h
25	: 25,000 Btu/h
30	: 30,000 Btu/h

Chassis	
A	: A series

Model Type	
" "	: Omitted if cooling only
R	: Heatpump

# Product Line-Up

## Indoor Unit A5WMX-G

A5WMX		Nomenclature	Classification													
			Handset		PCB		Air Purification					Marking		Others		
			G18		VA2.0		Ionizer Filter	Saranet Filter	Negative Ionizer	Nano Technology Air Filtration	O2 Therapy	Non-Thermal Plasma (NTP)	CE		Auto Restart	
COOLING ONLY	10G	ACITE	X		X		X	X					X		X	
	15G	ACITE	X		X		X	X					X		X	
	20G	ACITE	X		X		X	X					X		X	
HEATPUMP																
	10GR	ACITE	X		X		X	X					X		X	
	15GR	ACITE	X		X		X	X					X		X	
	20GR	ACITE	X		X		X	X					X		X	

**Outdoor Unit  
A5MSX-A**

A5MSX		Nomenclature		Classification															
				PCB		Refrigerant Control		Fin			Safety Devices			Compressor		Marking		Others	
				VB2.0	LJ DSCAA	Cap Tube	EXV	Gold coated	Blue coated	Bare	Contactora	HP	LP	DC Inverter Twin Rotary	DC Inverter Scroll	CE		Drain Elbow	
COOLING ONLY																			
	20A	ACOLA	X	X		X						X	X			X			
	25A	ACOLA	X	X		X					X		X			X			
	30A	ACOLA	X	X		X					X		X			X			
HEATPUMP																			
	20AR	ACOLA	X	X		X						X	X			X			
	25AR	ACOLA	X	X		X					X		X			X			
	30AR	ACOLA	X	X		X					X		X			X			

# Features

## Self Diagnosis

The microprocessor provides the possibility to detect and diagnose any fault or malfunction that occurs in the system. The error will be reflected by the blinking of the LED lights.

## Advance Technology

Incorporating fuzzy logic control enables greater flexibility in system control handling to achieve

- Powerful, efficient and economical operation.
- Even room temperature control.
- Constant and quiet compressor operation.
- Enhanced system reliability and reduced maintenance costs.

## On / Off Button on Indoor Unit

On/Off button is provided on the front panel of the unit. It can be used when the remote controller is missing or if its battery has run out. (Note: This button can also be used for forced operation mode)

## Wireless Remote Controller

- The compact LCD transmitter is able to operate the air conditioner unit within the distance of 8 meters.
- Fan speed can be set at high / medium / low / super low or automatic.
- Sleep mode auto control will gradually increase or decrease the setting temperature to provide a comfortable surrounding for sleeping.
- Air flow direction can be controlled automatically.
- Room temperature is controlled by electronic thermostat.
- The real time timer allows the air conditioner to be switched On and Off automatically based on user settings.
- Turbo mode function is available to enables the required set temperature to be achieved in a short time.
- Personalized Setting allows user to preset and store 2 groups of personal settings (including timer setting) in the handset.

## Higher Energy Savings

The inverter compressor is programmed to run at the optimum speed. This is controlled by input frequency that varies according to the indoor load requirements.

Once the indoor set temperature is achieved, the input frequency supply to the compressor will be reduced. Hence, less power is required to maintain the unit operation and this will consume less energy.

## Improved Compressor Life Span

For this multi-split inverter system, once the unit is started, the compressor rotation speed is steadily ramp up or down based on load requirement throughout the operation. This control method gives the compressor motor a smooth operation. It helps to reduce the wear and tear of the compressor motor. In the long run, the life span of compressor is increased.

## Overheating Protection (for heat pump unit only)

In case the internal and/or the external temperature are too high, or the filter is dirty and clogged up, the refrigerant may be overheated. The compressor will reduce its running speed in order to lower the temperature of heat exchanger. If the temperature is still very high, the compressor will stop.

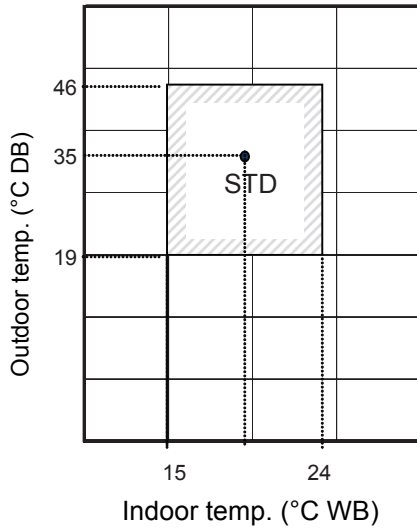


# Application Information

## Operating Range

Ensure the operating temperature is in allowable range.

### Cooling Only

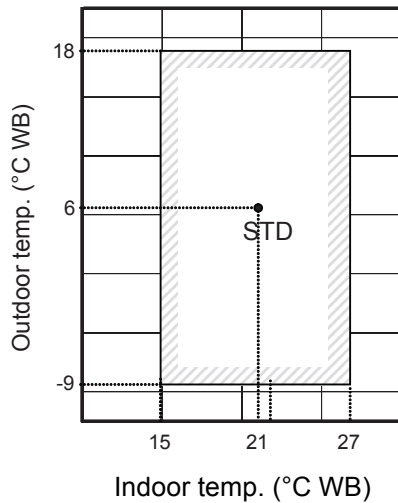


**Caution :**

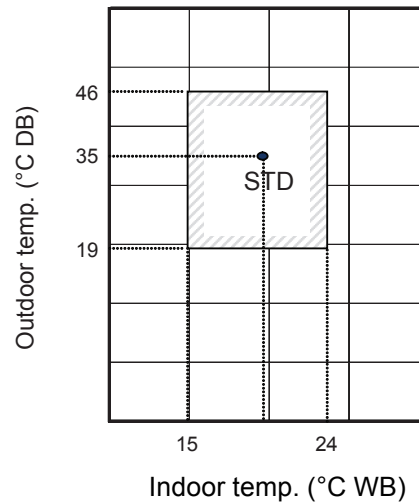
The use of your air conditioner outside the range of working temperature and humidity can result in serious failure.

### Heatpump

#### Heating

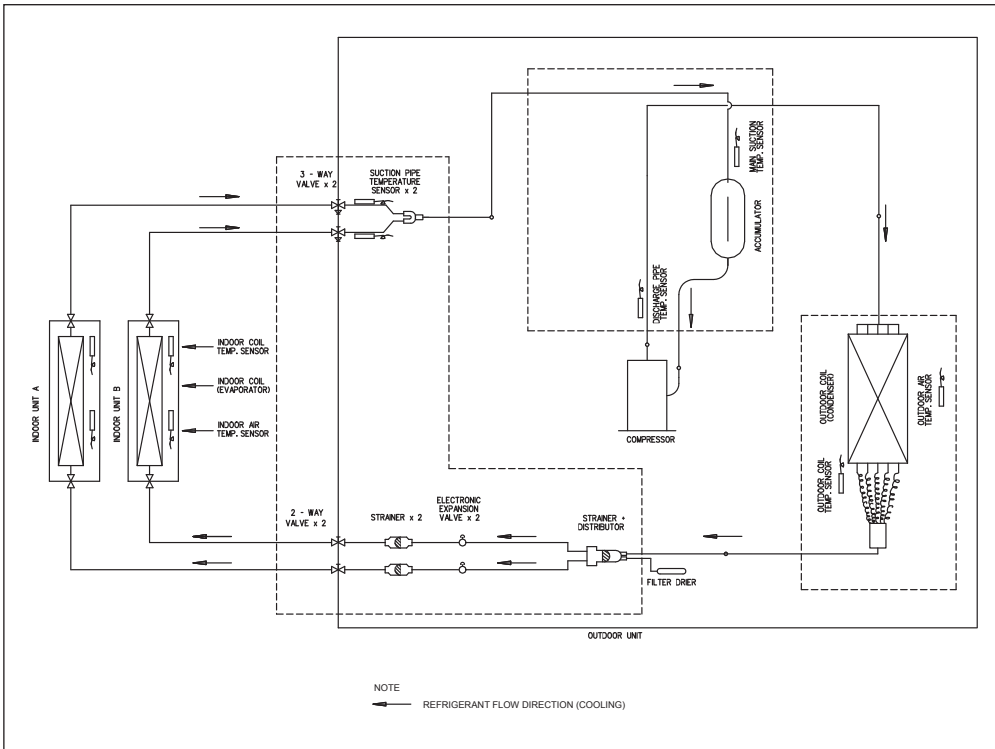


#### Cooling

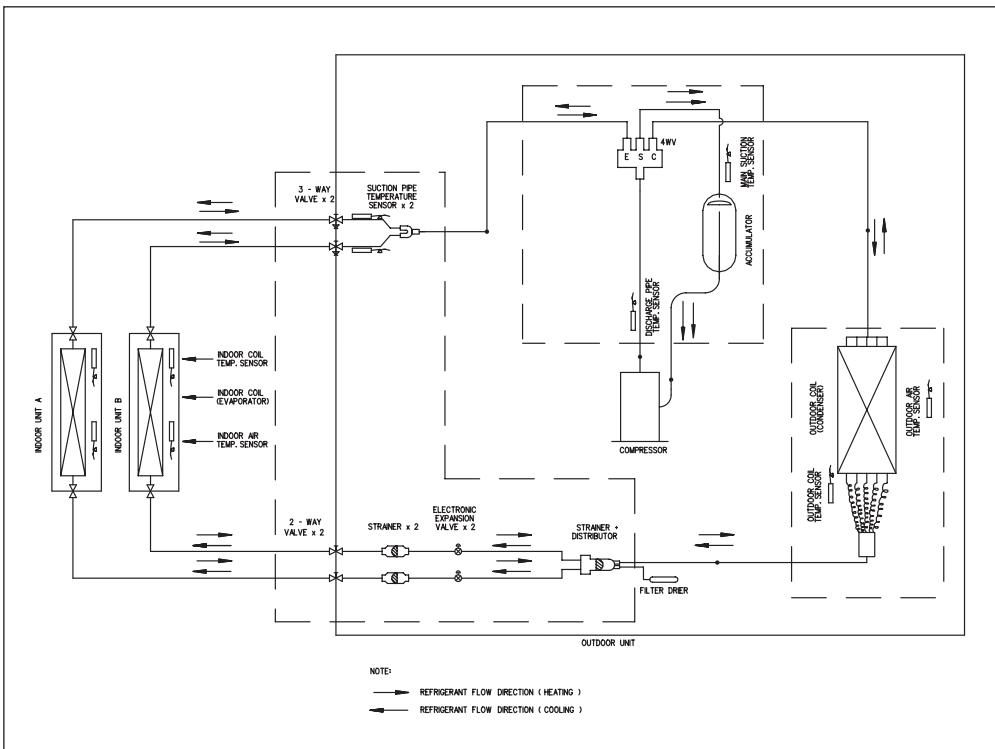


# Refrigerant Circuit Diagram

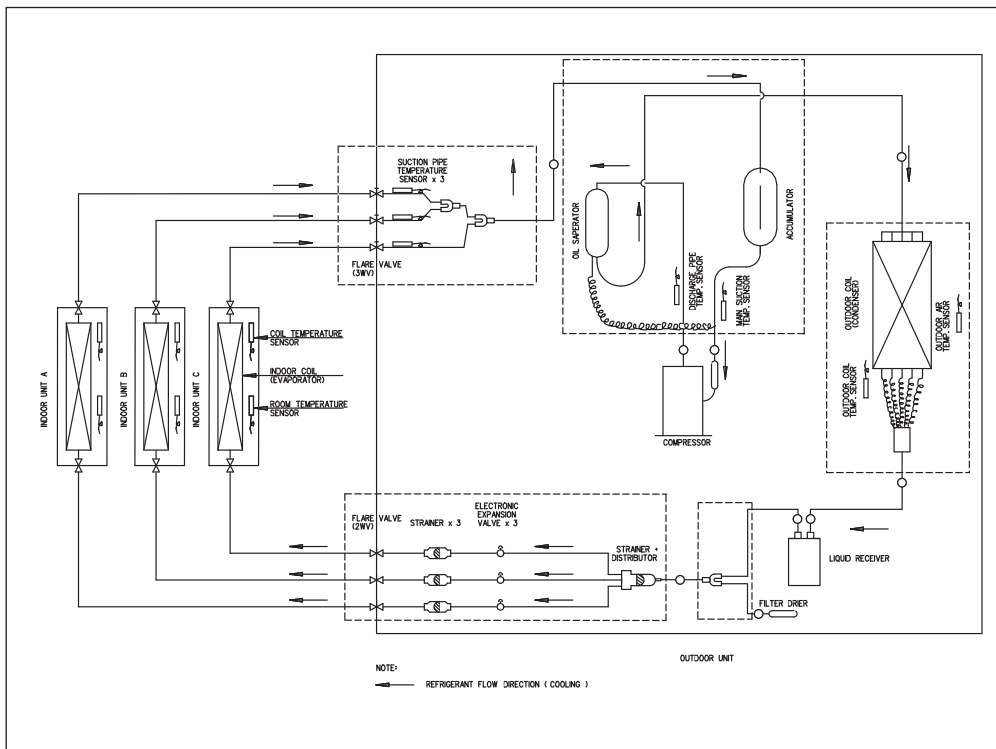
Model: A5MSX20A - A5WMX10/15G



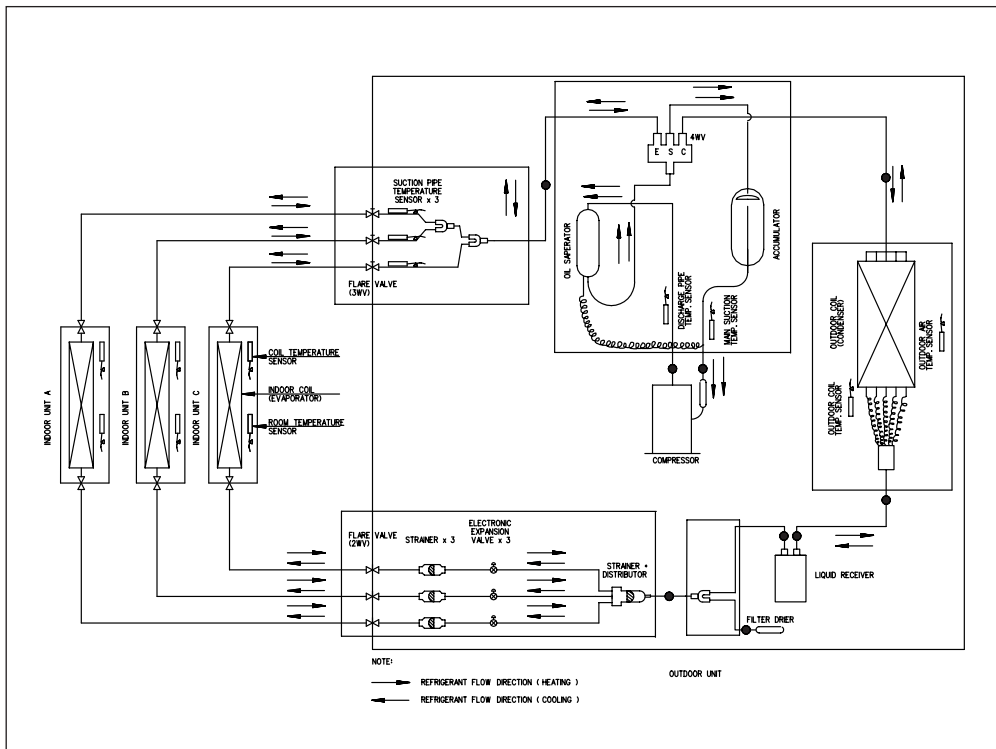
Model: A5MSX20AR - A5WMX10/15GR



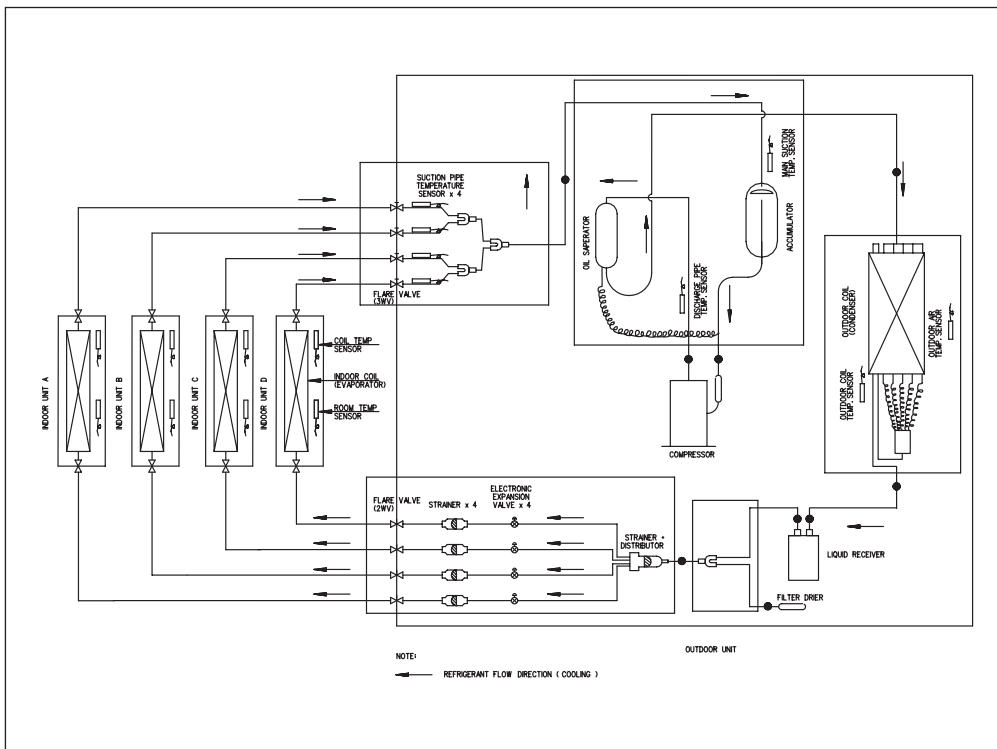
**Model: A5MSX25A - A5WMX10/20G**



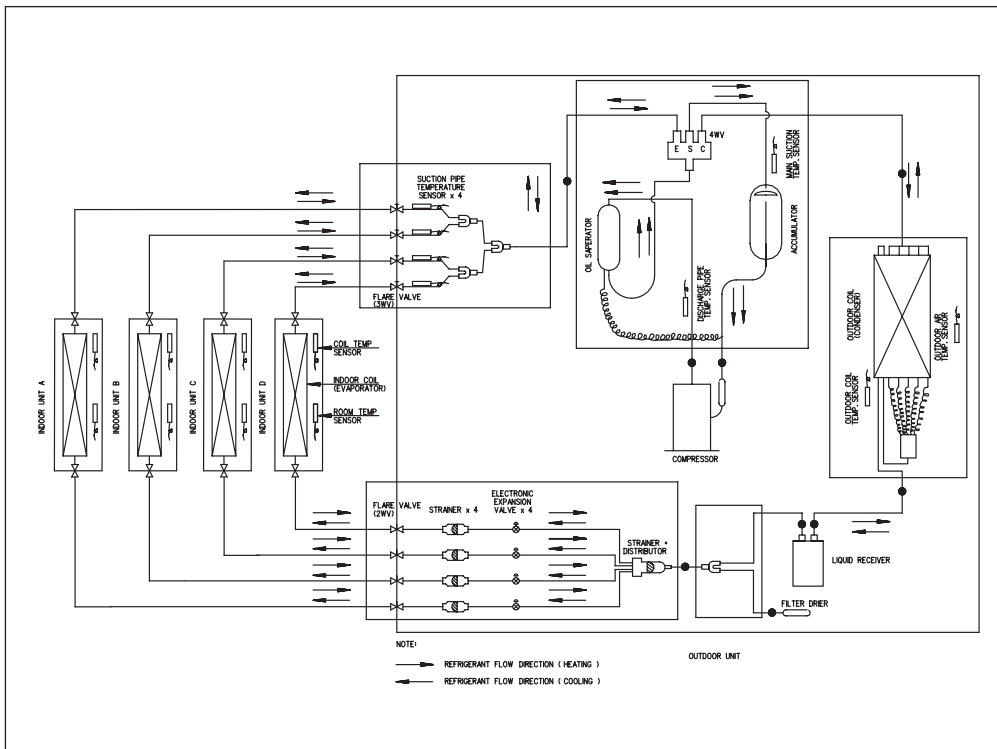
**Model: A5MSX25AR - A5WMX10/15/20GR**



**Model: A5MSX30A - A5WMX10/20G**



**Model: A5MSX30AR - A5WMX10/20GR**



## Controller

### G18



## Operation Guide

<b>1 Transmission Source</b> <ul style="list-style-type: none"> <li>The source where the signal will be transmitted.</li> </ul>	<b>8 Operating Mode</b> <ul style="list-style-type: none"> <li>Press the MODE button to select the type of operating mode.</li> <li>For cooling only unit, the available modes are: COOL (❄️), DRY (💧) and FAN (🌀).</li> </ul>
<b>2 Signal Transmission Indication</b> <ul style="list-style-type: none"> <li>Blink to confirm that the last setting has been transmitted to the unit.</li> </ul>	<b>9 Fan Speed Selection</b> <ul style="list-style-type: none"> <li>Press the 🌀 button continuously will toggle the fan speed in the following order: Low → Med → High → Auto</li> <li>Stop pressing when the desired fan speed appears on the display screen.</li> </ul>
<b>3 Temperature Setting</b> <ul style="list-style-type: none"> <li>To set the desired room temperature, press the ▲ or ▼ button to increase or decrease the set temperature.</li> <li>The temperature setting range is from 16°C to 30°C (optional setting 20°C to 30°C).</li> </ul>	<b>10 "ON/OFF" Button</b> <ul style="list-style-type: none"> <li>Press one to start the air conditioner unit.</li> <li>Press again to stop the unit.</li> </ul>
<b>4 Personalize Setting</b> <ul style="list-style-type: none"> <li>Press 🎵 and hold for 3s, then 🎵 will blink. Press again to cycle between 🎵 and 🎵.</li> <li>Set the desired setting, then leave the hand set for 4s without pressing any key and it will save the setting into the programme.</li> <li>Press 🎵 once to activate the P1 setting, press again to cycle between P1 and P2.</li> <li>Press any key to deactivate the personalize setting.</li> </ul>	<b>11 Timer Cancel</b> <ul style="list-style-type: none"> <li>Press the TIMER CANCEL button to cancel the on timer setting.</li> </ul>
<b>5 Automatic Air Swing (optional)</b> <ul style="list-style-type: none"> <li>Press the SWING 🌀 button to activate the automatic air swing function.</li> <li>To distribute the air to a specific direction, press the SWING 🌀 button and wait until the louver move to the desired direction and press the button once again.</li> </ul>	<b>12 OFF Timer Setting</b> <ul style="list-style-type: none"> <li>Press the OFF TIMER button will activate the off timer function.</li> <li>Set the desired off time by pressing the OFF TIMER button continuously.</li> </ul>
<b>6 Silent Function</b> <ul style="list-style-type: none"> <li>Press 🎵 for quiet operation.</li> <li>Fan speed turn to minimum speed.</li> <li>Press again to deactivate the function.</li> </ul>	<b>13 ON Timer Setting</b> <ul style="list-style-type: none"> <li>Press the ON TIMER button will activate the on timer function.</li> <li>Set the desired on time by pressing the ON TIMER button continuously. If the timer is set to 7.30am, the air conditioner will turn on at 7.30am sharp.</li> </ul>
<b>7 Sleep Mode Setting</b> <ul style="list-style-type: none"> <li>Press the SLEEP button will activate the sleep mode function. This function is available under COOL, HEAT and AUTO mode.</li> <li>When the unit is operating under cooling mode, the set temperature is increased by 0.5°C after 30 minutes, 1°C after an hour, and 2°C after 2 hours.</li> <li>When the unit is operating under heating mode, the set temperature is decreased by 1°C after 30 minutes, 2°C after an hour, and 3°C after 2 hours.</li> </ul>	<b>14 Turbo Function</b> <ul style="list-style-type: none"> <li>Press 🌀 for fast cooling.</li> <li>Fan speed turn to maximum speed.</li> <li>Press again to deactivate the function.</li> </ul> <b>15 Clock Time Setting</b> <ul style="list-style-type: none"> <li>Press 🕒 and hold to set the clock time.</li> </ul>

## Installation Guideline





### Safety Precautions

#### **WARNING**

- Installation and maintenance should be performed by qualified persons who are familiar with local code and regulation, and experienced with this type of appliance.
- All field wiring must be installed in accordance with the national wiring regulation.
- Ensure that the rated voltage of the unit corresponds to that of the name plate before commencing wiring work according to the wiring diagram.
- The unit must be GROUNDED to prevent possible hazard due to insulation failure.
- All electrical wiring must not touch the refrigerant piping or any moving parts of the fan motors.
- Confirm that the unit has been switched OFF before installing or servicing the unit.
- Disconnect from the main power supply before servicing the air conditioner unit.
- DO NOT pull out the power cord when the power is ON. This may cause serious electrical shocks which may result in fire hazards.
- Keep the indoor and outdoor units, power cable and transmission wiring, at least 1m from TVs and radios, to prevent distorted pictures and static. {Depending on the type and source of the electrical waves, static may be heard even when more than 1m away}.

#### **CAUTION**

Please take note of the following important points when installing.

- **Do not install the unit where leakage of flammable gas may occur.**
  -  If gas leaks and accumulates around the unit, it may cause fire ignition.
- **Ensure that drainage piping is connected properly.**
  -  If the drainage piping is not connected properly, it may cause water leakage which will dampen the furniture.
- **Do not overcharge the unit.**
  -  This unit is factory pre-charged. Overcharge will cause over-current or damage to the compressor.
- **Ensure that the unit's panel is closed after service or installation.**
  -  Unsecured panels will cause the unit to operate noisily.
- **Sharp edges and coil surfaces are potential locations which may cause injury hazards. Avoid from being in contact with these places.**
- **Before turning off the power supply, set the remote controller's ON/OFF switch to the "OFF" position to prevent the nuisance tripping of the unit.** If this is not done, the unit's fans will start turning automatically when power resumes, posing a hazard to service personnel or the user.
- **Do not operate any heating apparatus too close to the air conditioner unit.** This may cause the plastic panel to melt or deform as a result of the excessive heat.
- **Ensure the color of wires of the outdoor unit and the terminal markings are same to the indoors respectively.**
- **IMPORTANT : DO NOT INSTALL OR USE THE AIR CONDITIONER UNIT IN A LAUNDRY ROOM.**
- **Do not use joined and twisted wires for incoming power supply.**

#### **NOTICE**

##### **Disposal requirements**

Your air conditioning product is marked with this symbol. This means that electrical and electronic products shall not be mixed with unsorted household waste.

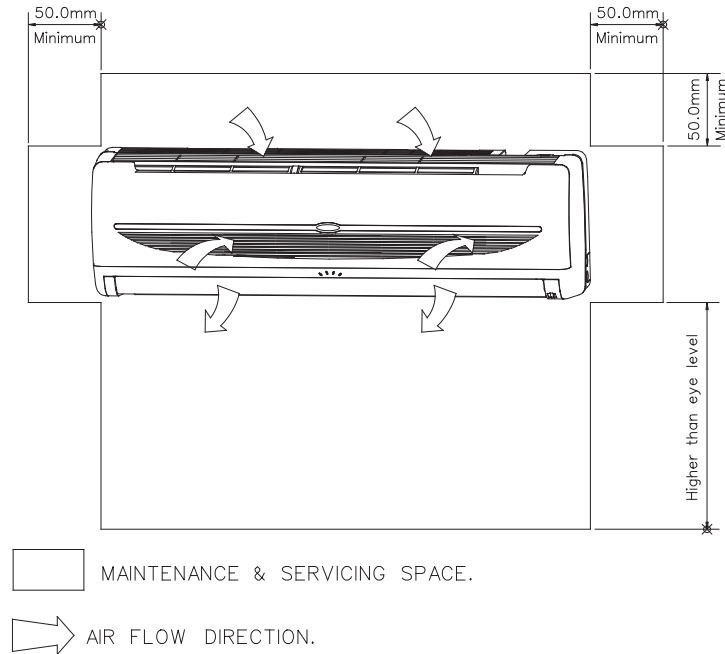
Do not try to dismantle the system yourself: the dismantling of the air conditioning system, treatment of the refrigerant, of oil and of other parts must be done by a qualified installer in accordance with relevant local and national legislation. Air conditioners must be treated at a specialized treatment facility for re-use, recycling and recovery. By ensuring this product is disposed of correctly, you will help to prevent potential negative consequences for the environment and human health. Please contact the installer or local authority for more information.

Batteries must be removed from the remote controller and disposed of separately in accordance with relevant local and national legislation.



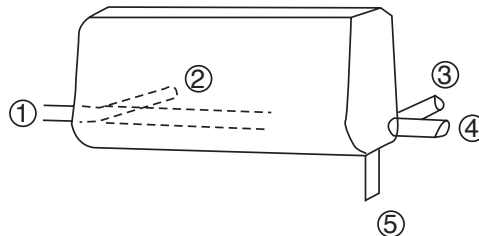
### Installation of Indoor Unit

The indoor unit must be installed in such a way so as to prevent short circuit of the cool discharged air with the hot return air. Please follow the installation clearance shown in the figure. Do not place the indoor unit where there could be direct sunlight shinning on it. Also, this location must be suitable for piping drainage and be away from doors or windows.



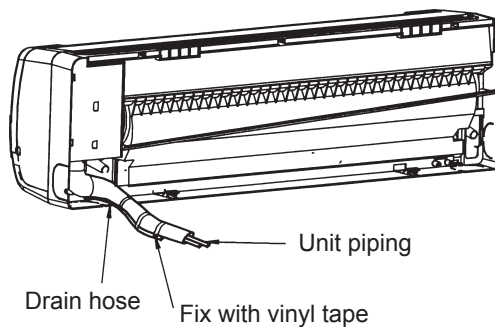
### Routing of Piping

Remove the screw holding the front panel.



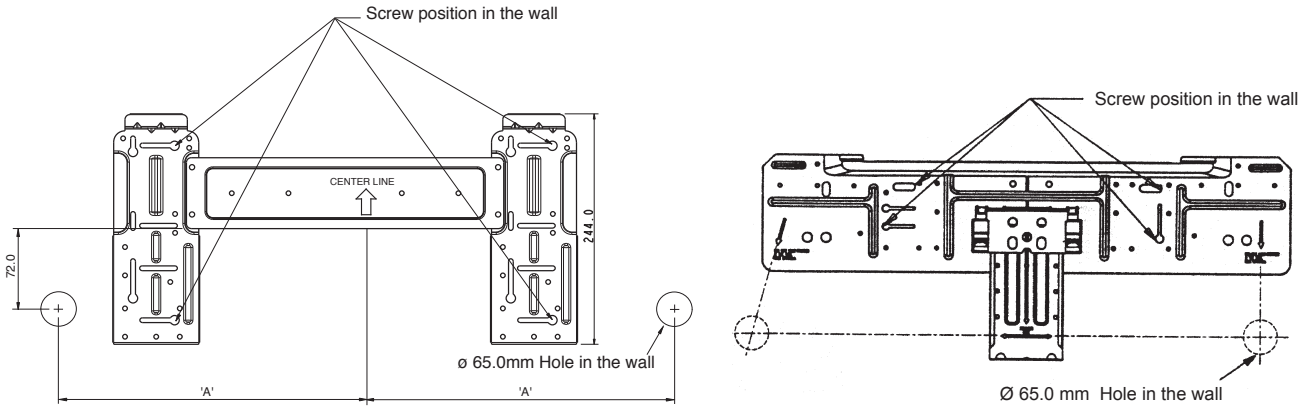
The refrigerant piping can be routed to the unit in a number of ways(left or right from the back of the unit) by using the cut-out holes on the casing of the unit(see figure). Bend the pipes carefully to the required position in order to align it with the holes. For the right hand and rear side out, hold the bottom of the piping and then position it to the required direction(see figure). The condensation drain hose can be taped to the pipes.

### Right & Rear Side Routing

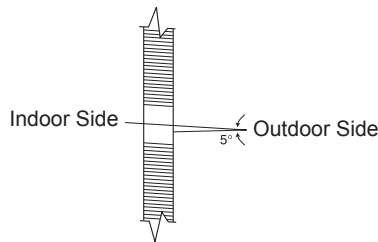


### Mounting Installation Plate

Ensure that the wall is strong enough to withstand the weight of the unit. Otherwise, it is necessary to reinforce the wall with plates, beams or pillars.  
 Use the level gauge for horizontal mounting, and fix it with 4 suitable screws.  
 In case the rear piping draws out, drill a hole 65mm in diameter with a cone drill, slightly lower on the outside wall (see figure)

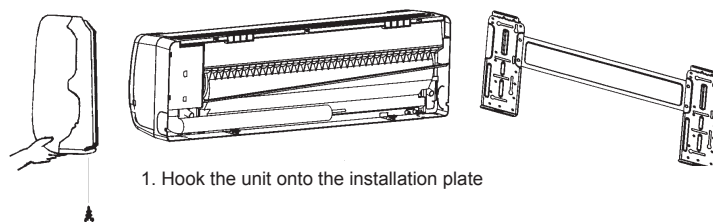


### Hole With Cone Drill



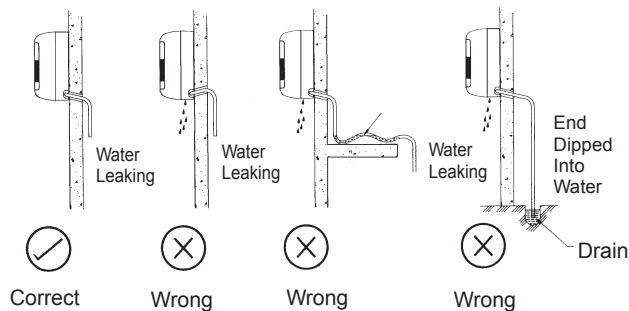
### Mount The Unit Onto The Installation Plate

Hook the indoor onto the upper portion of the installation plate (Engage the two hooks at the rear top of the indoor unit with the upper edge of the installation plate). Ensure that the hook are properly seated on the installation plate by moving it to the left and right.

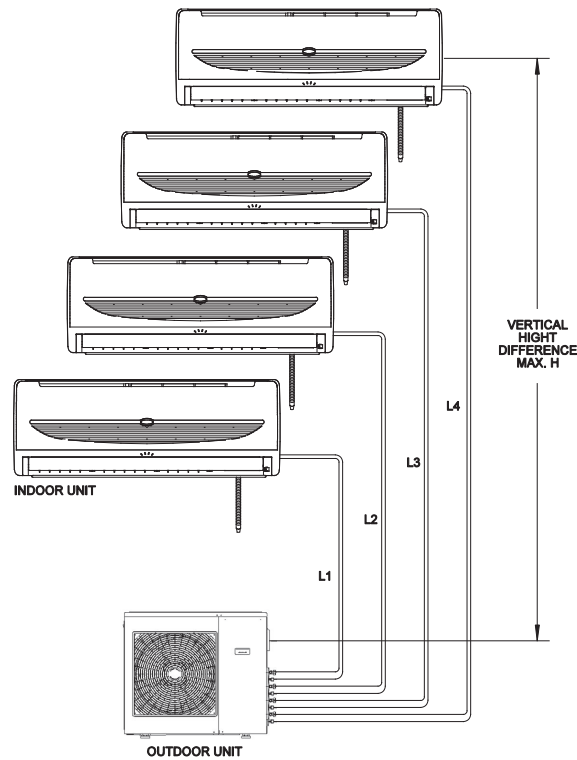


### Water Drainage Piping

The indoor pipe must be in a downward gradient for smooth drainage. Avoid situations that are likely to cause water leak.







**Indoor unit combination for outdoor unit A5MSX20A/AR, A5MSX25A/AR and A5MSX30A/AR**

Indoor units with model name A5WMX10G/GR, A5WMX15G/GR and A5WMX20G/GR could be coupled with this outdoor unit.

The following table shows the possible coupling combinations available.

No	Coupling Combinations (5WMX-G/GR)		
	A5MSX20A/AR	A5MSX25A/AR	A5MSX30A/AR
1	10+10	10+10+10	10+10+10+10
2	10+15	10+10+15	10+10+10+15
3	15+15	10+10+20	10+10+10+20
4		10+15+15	10+10+15+15
5		10+15+20	10+10+15+20
6		15+15+20	10+15+15+15
7			15+15+15+15

For further details on operation combinations, total capacity and other technical specifications, please refer to the technical manual.

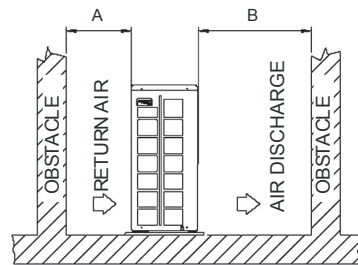
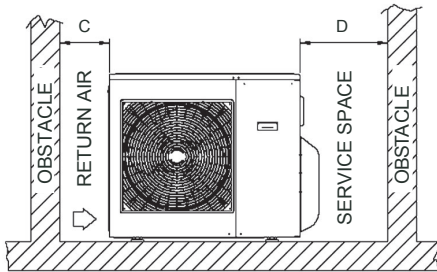
### Installation Of Outdoor Unit

The outdoor unit must be installed in such a way, so as to prevent short circuit of the hot discharged air or obstruction to the smooth air flow. Please follow the installation clearance shown in the figures below. Select the coolest possible place where intake air temperature is not greater than the outside air temperature (maximum 45°C/113°F).

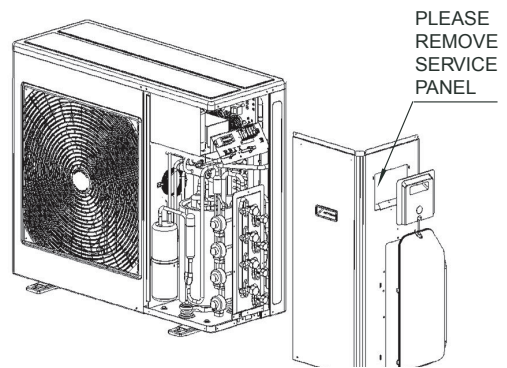
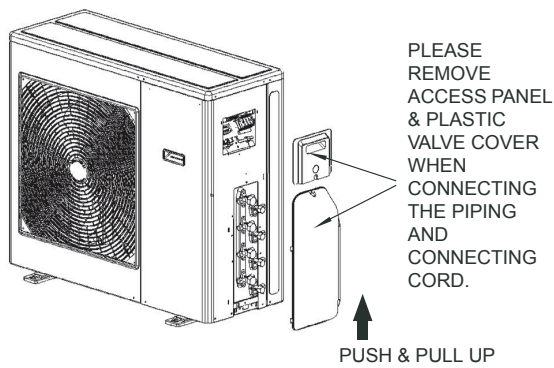
Note: If there is any obstacle higher than 2m (6.56ft), or if there is any obstruction at the upper part of the unit, please allow more space than the figure indicated in the table shown below.

### Installation Clearances

Dimensions	A	B	C	D
Minimum Distance(mm)	300	1000	300	500



Before installation the piping and connecting cord, please remove the access panel and plastic valve cover or service panel for easy access and safety. Refer to figures shown below.



## Refrigerant Piping Work

### Piping Length and Elevation

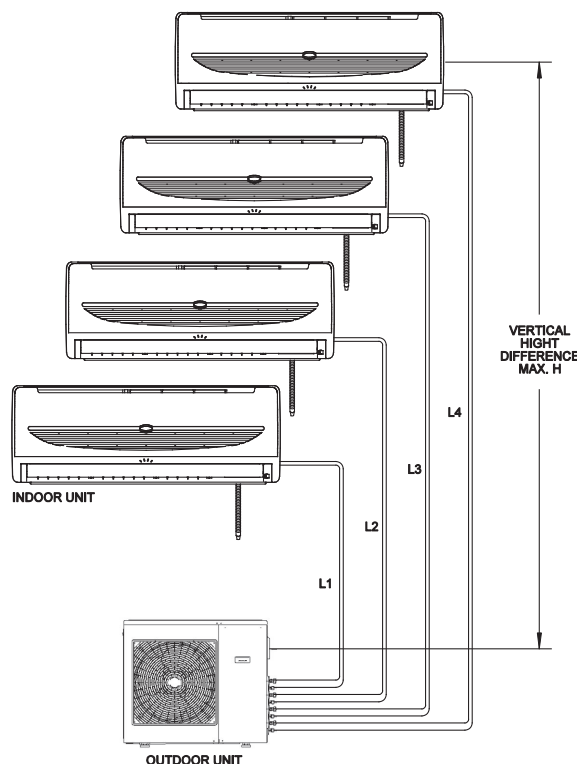
If the pipe is too long, both capacity and reliability of the unit will drop. As the number of bends increases, resistance to the flow of refrigerant system increases, thus lowering cooling capacity. As a result, the compressor may become defective. Always choose the shortest path and follow the recommendations as tabulated below.

Item	Model	Long Piping			O/D Precharged	Charge Amount for Additional Piping Length		
		A5WMX10 G/GR	A5WMX15 G/GR	A5WMX20 G/GR		20m	25m	30m
1	A5MSX20A/AR (1 TO 2)	20	20	20	1650g	20m	25m	30m
		(Total length $L_1 + L_2 = 30m$ )				0	+100g	+200g
2	A5MSX25A/AR (1 TO 3)	20	20	20	2320g	40m	45m	50m
		(Total length $L_1 + L_2 + L_3 = 50m$ )				0	+100g	+200g
3	A5MSX30A/AR (1 TO 4)	20	20	20		40m	50m	60m
		(Total length $L_1 + L_2 + L_3 + L_4 = 60m$ )				0	+200g	+400g

Coupling Model	A5WMX10G/GR	A5WMX15G/GR	A5WMX20G/GR
Max. Elevation, H (m/ft)	5	5	5
Max. Number of Bends	10	10	10
Liquid Pipe Size	1/4"	1/4"	1/4"
Gas Pipe Size	3/8"	1/2"	1/2"

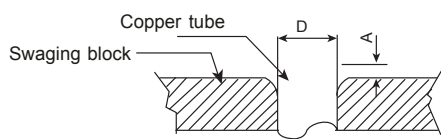
Individual indoor unit can have a maximum length of 20 m (65.6ft), maximum elevation of 5 m (32.8ft) and maximum number of bends of 10, however, the total pipe length must not exceed 30m (A5MSX20AR), 50m (A5MSX25AR) or 60m (A5MSX30AR) depending on the model of the outdoor unit.

Remark: The refrigerant pre-charged in the outdoor unit is for total piping length up to 20m for model A5MSX20A/AR and 40m for model A5MSX25A/AR and A5MSX30A/AR.

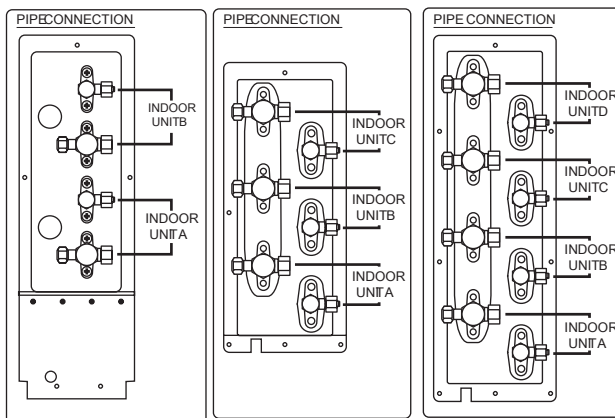


## Piping Work

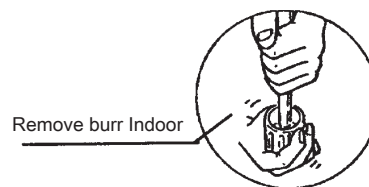
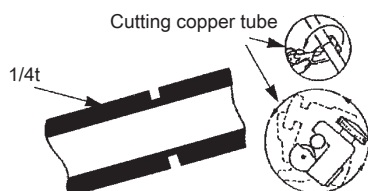
- Do not use contaminated or damaged copper tubing. Do not remove plastic, rubber plugs and brass nuts from the valves, fittings, tubings and coils until you are ready to connect suction or liquid line into valves or fittings.
- If any brazing work is required, ensure that the nitrogen gas passed through coil and joints while the brazing work is being done. This will eliminate soot formation on the inside walls of the copper tubings.
- Cut the connection pipe with a pipe cutter.
- Remove burrs from cut edges of the pipes with remover. Hold the end of the pipe downwards to prevent metal chips from entering the pipe.
- Insert the flare nuts, mounted on the connection parts of both the indoor unit and outdoor unit onto the copper pipes.
- Flare the pipe with extra length above the flaring tool as shown in the table below.
- The flare edge must be even and not cracked or scratched.



Ø TUBE, D			A(MM)	
Inch	mm	Imperial	Rigid	
1/4"	6.35	1.3	0.7	
3/8"	9.52	1.6	1.0	
1/2"	12.70	1.9	1.3	
5/8"	15.88	2.2	1.7	
3/4"	19.05	2.5	2.0	



Pos.	A5MSX20 A/AR		A5MSX25 A/AR		A5MSX30 A/AR	
	Liquid	Gas	Liquid	Gas	Liquid	Gas
A	1/4"	3/8"	1/4"	3/8"	1/4"	3/8"
B	1/4"	3/8"	1/4"	3/8"	1/4"	3/8"
C			1/4"	3/8"	1/4"	3/8"
D					1/4"	3/8"



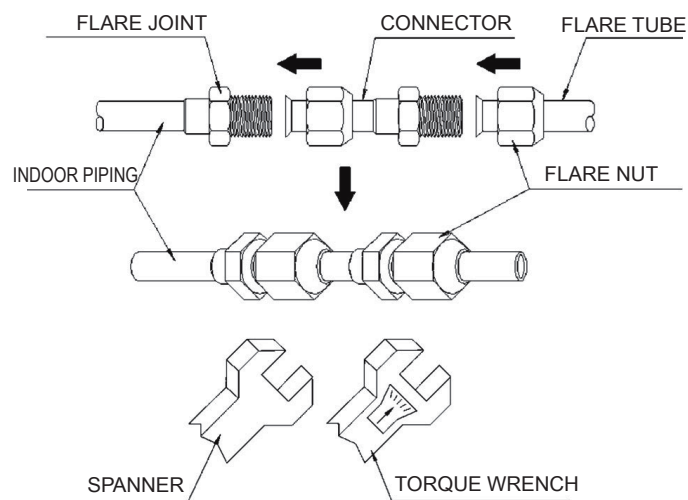
## Piping Connection To The Units

- The outdoor unit is equipped with two to four sets of flare joints depending on O/D unit model. Refer to table below for flare joint size and location.
- In the case where gas pipe from the indoor unit does not match the outdoor flare joints, two different flare joint connectors are provided. The connector should be connected as shown in figure.

No	Flarte Joint Connector
1	3/7" to 1/2" Connector
2	1/2" to 3/8" Connector

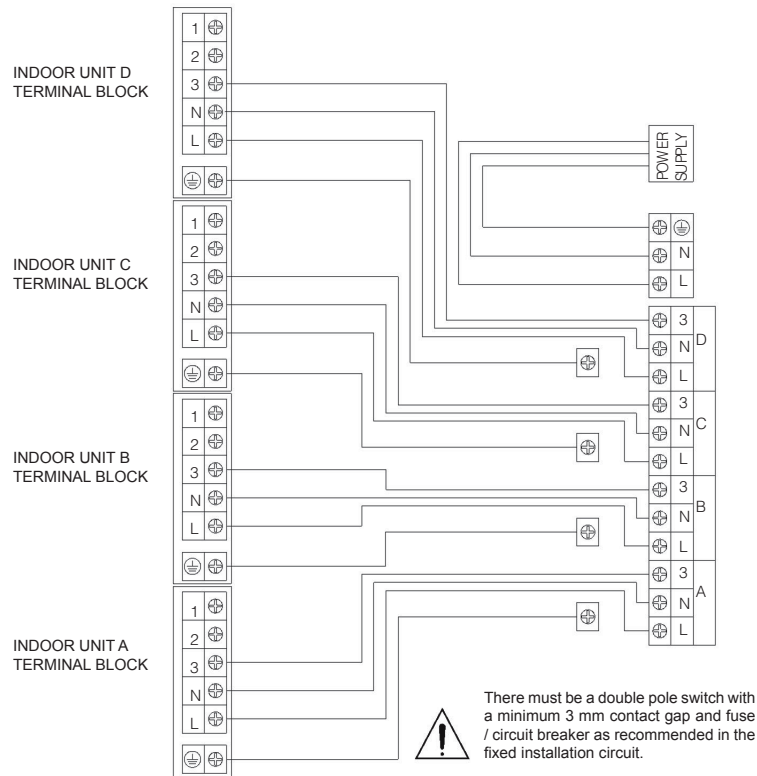
- Align the center of the piping and tighten the flare nut sufficiently with fingers.
- Finally, tighten the flare nut with the torque wrench until the wrench clicks.

Pipe Size mm/(in)	Torque Nm/(ft - lb)
6.35 (1/4)	18 (13.3)
9.53 (3/8)	42 (31.0)
12.70 (1/2)	55 (40.6)

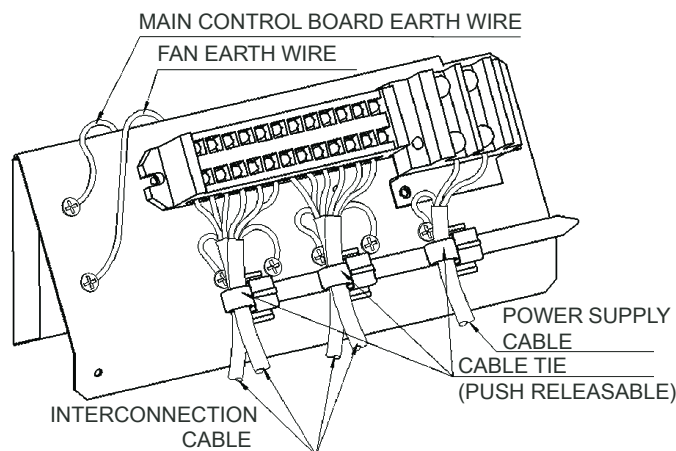


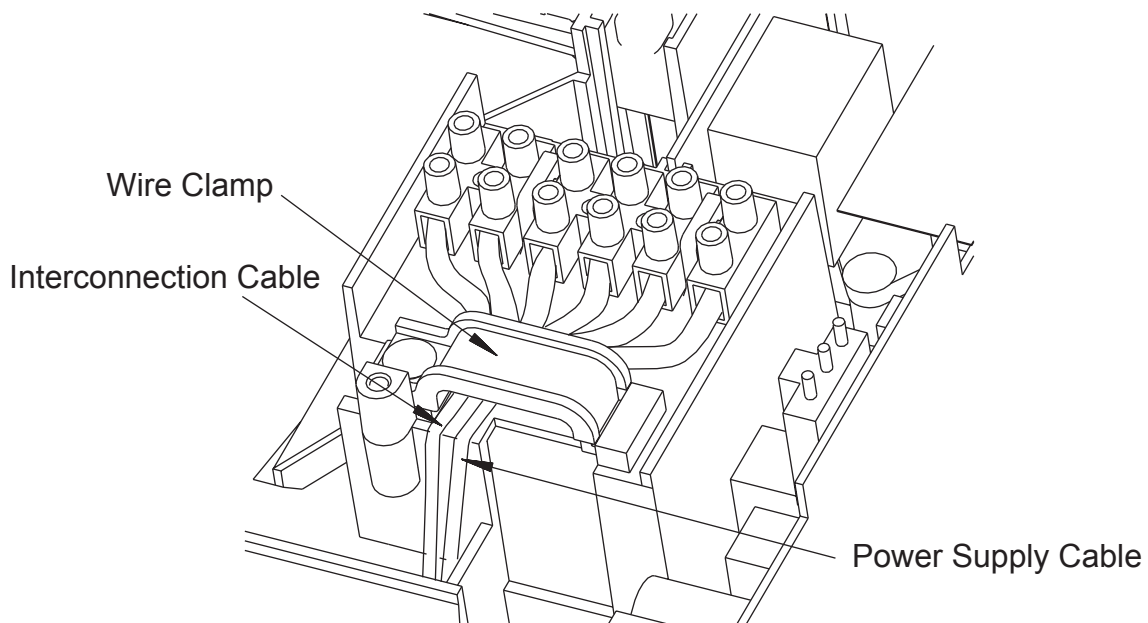
### Electrical Wiring Connection

**IMPORTANT :** The figures shown in the table are for information purpose only. They should be checked and selected to comply with the local/national codes of regulations. This is also to the type of installation and conductors used.



- All wiring must be connected accordingly to the diagram above, with reference to the piping connection. Mismatch any wiring with different piping will cause severe damage to the system.
- All wires must be firmly connected.
- All wires must not touch the refrigerant piping, compressor or any moving parts of the fan motor.
- The connecting wires between the indoor unit and the outdoor unit must be clamped on the wire clamps and the cable tie (push releasable) at the indoor unit and outdoor unit respectively as shown in the figures.
- The power supply cord must be equivalent to H05RN-F (245IEC57) which is the minimum requirement.





Model	A5WMX10G/15G	A5WMX20G/GR
Voltage range	220V-240V / 1 Ph / 50Hz +	
Power supply cable size (mm <sup>2</sup> )	3.0	
Number of wire	3	
Interconnection cable size (mm <sup>2</sup> )	1.5	2.5
Number of wire	4	4
Recommended time delay fuse for O/D unit	25	

- The table above shows the electrical wire sizing for different connection cables. If the length of the cable is more than 2m, use cable with bigger size.
- The figures shown in the table are for information purpose only. They should be checked and selected to comply with the local/national codes of regulations. This is also to the type of installation and conductors used.

### Special Precautions When Dealing With R410A Unit

R410A is a new HFC refrigerant which does not damage the ozone layer. The working pressure of this new refrigerant is 1.6 times higher than conventional refrigerant (R22), thus proper installation / servicing is essential.

- Never use refrigerant other than R410A in an air conditioner which designed to operate with R410A.
- POE oil is used as lubricant for R410A compressor, which is different from the mineral oil used for R22 compressor. During installation or servicing, extra precaution must be taken not to expose the R410A system too long to moist air. Residual POE oil in the piping and components can absorb moisture from the air.
- To prevent mischarging, the diameter of the service port on the flare valve is different from that of R22.
- Use tools and materials exclusively for refrigerant R410A. Tools exclusively for R410A are manifold valve, charging hose, pressure gauge, gas leak detector, flare tools, torque wrench, vacuum pump and refrigerant cylinder.
- As an R410A air conditioner incurs higher pressure than R22 units, it is essential to choose the copper pipes correctly. Never use copper pipes thinner than 0.8mm even though they are available in the market.
- If the refrigerant gas leakage occurs during installation / servicing, be sure to ventilate fully. If the refrigerant gas comes into contact with fire, a poisonous gas may occur.
- When installing or removing an air conditioner, do not allow air or moisture to remain in the refrigerant cycle.

## Vacuuming And Charging

### Purging The Piping And Indoor Unit

Except for the outdoor unit which is pre-charged with refrigerant R22, the indoor unit and the refrigerant connection pipes must be air-purged because the air containing moisture that remains in the refrigerant cycle may cause malfunction of the compressor.

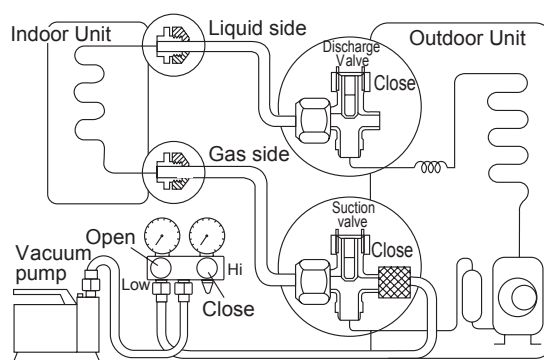
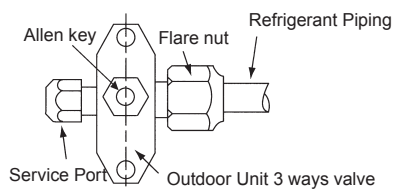
- Make sure all pipes are connected securely to the outdoor and indoor valves.
- Remove the caps from the flare valve and the service. Take note that there are a total of two service ports for A5MSX20A/AR, three service ports for A5MSX25A/AR and four service ports for A5MSX30A/AR.
- Connect the center of the charging gauge to the vacuum pump.
- Starting from the bottom 3-way valve (labeled A), connect the charging gauge to the 3-way valve's service port. (The numbers of service ports depend on the O/D unit model).
- Start the vacuum pump. Evacuate for approximately 30 minutes. The evacuation time varies with different vacuum pump capacity. Confirm that the charging gauge needle has moved towards -760mmHg.
- Proceed to the next 3-way valve and repeat the steps above.

### Caution

- If the gauge needle does not move to -760mmHg, be ure to check for gas leaks (using the refrigerant detector) at flare type connection of the indoor and outdoor unit and repair the leak before proceeding to the next step.
- Close the valve of the charging gauge and stop the vacuum pump.
- On the outdoor unit, open the suction valve (3 way) and liquid valve (2 way) (in anti-clockwise direction) with 4mm key for hexagon sacked screw.

### Additional Charge

The refrigerant is pre-charged in the outdoor unit for specific piping length. Please refer to page 1-5 for further detail on additional charge.

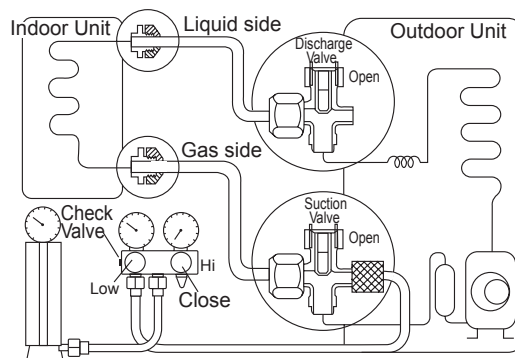




## Charge operation

This operation must be done by using a gas cylinder and a precise weighing machine. The additional charge is topped up into the outdoor unit using the suction valve via the service port.

- Remove the service port cap.
- Connect the low pressure side of the charging gauge to the suction service port center of the cylinder tank and close the high pressure side of the gauge. Purge the air from the service hose.
- Start the air conditioner unit.
- Open the gas cylinder and low pressure charging valve.
- When the required refrigerant quantity is pumped into the unit, close the low pressure side and the gas cylinder valve.
- Disconnect the service hose from service port. Put back the service port cap.



### Caution

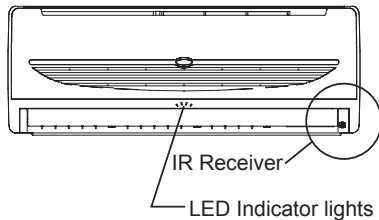
- R410A must be charged as liquid. Usually R410A cylinder is equipped with a dip-pipe for liquid withdrawal. If there is no dip-pipe, the cylinder should be inverted so as to withdraw liquid R410A from the valve.
- Do not top-up when servicing leak, as this will reduce the unit performance. Vacuum the unit thoroughly and then charge the unit with fresh R410A according to the amount recommended in the specification.

## Indicator Lights

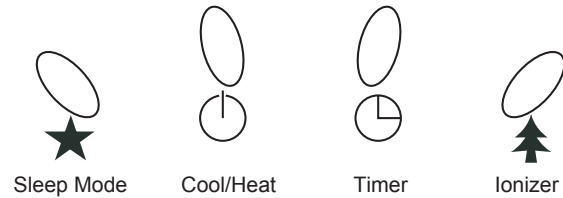
### IR Signal Receiver

When an infrared remote control operating signal has been transmitted, the signal receiver on indoor unit will make a (beep) sound to confirm acceptance of the signal transmission. The table shows the LED indicator lights for the indoor air conditioner unit under normal operation and fault conditions. The LED indicator lights are located at the middle of the air conditioner unit for 5WMX-G/GR series.





### Inverted Cooling/Heatpump Unit (5WMX-G/GR)



### LED Indicator Lights for Cooling Unit



### Led Indicator Lights : Normal Operation And Faulty Indication Table

 SLEEP MODE	 COOL/ HEAT	 TIMER	 IONIZER	Normal Operation / Fault Indication	Action
○/●	○ Green		○/●	Cooling mode	-
○/●	○ Red		○/●	Heat mode / Standby mode (only for heat pump model)	-
○/●	○ Green/Red			Sleep mode on	-
	○ Green/Red	○ Yellow		Timer on	-
	○ Green/Red		○ Green	Ionizer on	-
	◐ Red			Defrost operation	-
	◐ Yellow			Indoor temperature sensor/short	Call your dealer
		◐		Coil temperature sensor loose/short	Call your dealer
			◐	Outdoor temperature sensor loose/short	Call your dealer
◐	◐ Green			Compressor overload protection	Call your dealer
	◐ Yellow		◐	IPM/PFC error	Call your dealer
		◐	◐	Outdoor total current trip/DC peak	Call your dealer
◐			◐	Compressor overheat/Gas Leak	Call your dealer
	◐	◐		Indoor fan feedback error	Call your dealer
◐		◐		Communication error between indoor and outdoor	Call your dealer
	◐ Red	◐		Anti freeze protection	Call your dealer

○ ON      ○/● ON or OFF      ◐ BLINK

To add: "/ Standby mode (only for heat pump model)"

# Engineering & Physical Data

## General Data - Cooling Only

MODEL	OUTDOOR UNIT			A5MSX20A	
	INDOOR UNIT			A5WMX10G	A5WMX15G
NOMINAL CAPACITY	Btu/h			19000	19000
	W			5570	5570
NOMINAL TOTAL INPUT POWER	W			1500	1500
NOMINAL RUNNING CURRENT	A			6.75	6.75
POWER SOURCE	V/Ph/Hz			220 - 240 / 1 / 50	220 - 240 / 1 / 50
REFRIGERANT TYPE				R-410A	R-410A
REFRIGERANT CONTROL (EXPANSION DEVICE)				OUTDOOR EXV	OUTDOOR EXV
INDOOR UNIT	AIR FLOW	HEIGHT	l/s / CFM	142 / 300	156 / 330
		MEDIUM	l/s / CFM	118 / 250	123 / 260
		LOW	l/s / CFM	94 / 200	99 / 210
	SOUND PRESSURE LEVEL (H/M/L)		dB(A)	39 / 34 / 28	42 / 36 / 29
	UNIT DIMENSION	HEIGHT	mm/in	260 / 10.2	260 / 10.2
		WIDTH	mm/in	899 / 35.4	899 / 35.4
		DEPTH	mm/in	198 / 7.8	198 / 7.8
	PACKING DIMENSION	HEIGHT	mm/in	337 / 13.3	337 / 13.3
		WIDTH	mm/in	957 / 37.7	957 / 37.7
		DEPTH	mm/in	270 / 10.6	270 / 10.6
UNIT WEIGHT		kg/lb	9.4 / 21.7	9.4 / 21.7	
CONDENSATE DRAIN SIZE		mm/in	16 / 0.63	16 / 0.63	
OUTDOOR UNIT	AIR FLOW		l/s / CFM	614 / 1300	614 / 1300
	SOUND PRESSURE LEVEL		dB(A)	52	52
	UNIT DIMENSION	HEIGHT	mm/in	756 / 29.7	756 / 29.7
		WIDTH	mm/in	940 / 37.0	940 / 37.0
		DEPTH	mm/in	392 / 14.3	392 / 14.3
	PACKING DIMENSION	HEIGHT	mm/in	790 / 31.1	790 / 31.1
		WIDTH	mm/in	1015 / 40.0	1015 / 40.0
		DEPTH	mm/in	402 / 15.8	402 / 15.8
	UNIT WEIGHT		kg/lb	50 / 110.2	50 / 110.2
	PIPE CONNECTION	TYPE		FLARE VALVE	FLARE VALVE
SIZE		LIQUID	mm/in	6.4 / 1/4	6.4 / 1/4
		GAS	mm/in	9.5 / 3/8	9.5 / 3/8
REFRIGERANT CHARGE			kg/lb	1.65 / 3.64	

1) ALL SPECIFICATIONS ARE SUBJECTED TO CHANGE BY THE MANUFACTURER WITHOUT PRIOR NOTICE.

2) ALL UNITS ARE BEING TESTED AND COMPLY TO ISO 5151.

3) NOMINAL COOLING AND HEATING CAPACITY ARE BASED ON THE CONDITIONS BELOW :  
COOLING - 27°C DB / 19°C WB INDOOR AND 35°C DB / 24°C WB OUTDOOR

4) SOUND PRESSURE LEVEL ARE ACCORDING TO JIS B 8615 STANDARD. POSITION OF THE MEASUREMENT POINT IS 1m IN FRONT AND 1m BELOW THE UNIT.

## General Data - Cooling Only

MODEL	OUTDOOR UNIT			A5MSX25A	
	INDOOR UNIT			A5WMX10G	A5WMX15G
NOMINAL CAPACITY	Btu/h			22000	22000
	W			6450	6450
NOMINAL TOTAL INPUT POWER	W			1815	1815
NOMINAL RUNNING CURRENT	A			8.13	8.13
POWER SOURCE	V/Ph/Hz			220 - 240 / 1 / 50	220 - 240 / 1 / 50
REFRIGERANT TYPE				R410A	R410A
REFRIGERANT CONTROL (EXPANSION DEVICE)				OUTDOOR EXV	OUTDOOR EXV
INDOOR UNIT	AIR FLOW	HIGH	l/s / CFM	142 / 300	156 / 330
		MEDIUM	l/s / CFM	118 / 250	123 / 260
		LOW	l/s / CFM	94 / 200	99 / 210
	SOUND PRESSURE LEVEL (H/M/L)		dB(A)	39 / 34 / 28	42 / 36 / 29
	UNIT DIMENSION	HEIGHT	mm/in	260 / 10.2	260 / 10.2
		WIDTH	mm/in	899 / 35.4	899 / 35.4
		DEPTH	mm/in	198 / 7.8	198 / 7.8
	PACKING DIMENSION	HEIGHT	mm/in	337 / 13.3	337 / 13.3
		WIDTH	mm/in	957 / 37.7	957 / 37.7
		DEPTH	mm/in	270 / 10.6	270 / 10.6
	UNIT WEIGHT		kg/lb	9.4 / 21.7	9.4 / 21.7
	CONDENSATE DRAIN SIZE		mm/in	16 / 0.63	16 / 0.63
	OUTDOOR UNIT	AIR FLOW		l/s / CFM	755 / 1600
SOUND PRESSURE LEVEL		dB(A)	53	53	
UNIT DIMENSION		HEIGHT	mm/in	757 / 29.8	757 / 29.8
		WIDTH	mm/in	940 / 37.0	940 / 37.0
		DEPTH	mm/in	392 / 14.3	392 / 14.3
PACKING DIMENSION		HEIGHT	mm/in	790 / 31.1	790 / 31.1
		WIDTH	mm/in	1015 / 40.0	1015 / 40.0
		DEPTH	mm/in	402 / 15.8	402 / 15.8
UNIT WEIGHT		kg/lb	60 / 132.3	60 / 132.3	
PIPE CONNECTION		TYPE		FLARE VALVE	
		SIZE	LIQUID	mm/in	2 x (6.4 / 1/4)
	GAS		mm/in	2 X (9.5 / 3/8)	2 X (9.5 / 3/8)
REFRIGERANT CHARGE		kg/lb	2.32 / 5.10	2.32 / 5.10	

1) ALL SPECIFICATIONS ARE SUBJECTED TO CHANGE BY THE MANUFACTURER WITHOUT PRIOR NOTICE.

2) ALL UNITS ARE BEING TESTED AND COMPLY TO ISO 5151.

3) NOMINAL COOLING AND HEATING CAPACITY ARE BASED ON THE CONDITIONS BELOW :

COOLING - 27°C DB / 19°C WB INDOOR AND 35°C DB / 24°C WB OUTDOOR

4) SOUND PRESSURE LEVEL ARE ACCORDING TO JIS B 8615 STANDARD. POSITION OF THE MEASUREMENT POINT IS 1m IN FRONT AND 1m BELOW THE UNIT.

## General Data - Cooling Only

MODEL		OUTDOOR UNIT		A5MSX25A		
		INDOOR UNIT		A5WMX20G		
NOMINAL CAPACITY		Btu/h		22000		
		W		6450		
NOMINAL TOTAL INPUT POWER		W		1815		
NOMINAL RUNNING CURRENT		A		8.13		
POWER SOURCE		V/Ph/Hz		220 - 240 / 1 / 50		
REFRIGERANT TYPE				R-410A		
INDOOR UNIT	AIR FLOW	HIGH	l/s / CFM	236 / 550		
		MEDIUM	l/s / CFM	208 / 440		
		LOW	l/s / CFM	175 / 370		
	SOUND PRESSURE LEVEL (H/M/L)		dBA		44 / 40 / 35	
	UNIT DIMENSION	HEIGHT	mm/in	304 / 12.0		
		WIDTH	mm/in	1062 / 41.8		
		DEPTH	mm/in	220 / 8.7		
	PACKING DIMENSION	HEIGHT	mm/in	378 / 14.9		
		WIDTH	mm/in	1130 / 44.5		
		DEPTH	mm/in	292 / 11.5		
	UNIT WEIGHT		kg/lb		15.0 / 33.1	
	CONDENSATE DRAIN SIZE		mm/in		16 / 0.63	
	OUTDOOR UNIT	AIR FLOW		l/s / CFM		755 / 1600
		SOUND PRESSURE LEVEL		dBA		53
UNIT DIMENSION		HEIGHT	mm/in	757 / 29.8		
		WIDTH	mm/in	940 / 37.0		
		DEPTH	mm/in	392 / 14.3		
PACKING DIMENSION		HEIGHT	mm/in	790 / 31.1		
		WIDTH	mm/in	1015 / 40.0		
		DEPTH	mm/in	402 / 15.8		
UNIT WEIGHT		kg/lb		60 / 132.3		
PIPE CONNECTION		TYPE		FLARE VALVE		
	SIZE	LIQUID	mm/in	2 x (6.4 / 1/4)		
		GAS	mm/in	2 X (9.5 / 3/8)		
REFRIGERANT CHARGE		kg/lb		2.32 / 5.10		

1) ALL SPECIFICATIONS ARE SUBJECTED TO CHANGE BY THE MANUFACTURER WITHOUT PRIOR NOTICE.

2) ALL UNITS ARE BEING TESTED AND COMPLY TO ISO 5151.

3) NOMINAL COOLING AND HEATING CAPACITY ARE BASED ON THE CONDITIONS BELOW :

COOLING - 27°C DB / 19°C WB INDOOR AND 35°C DB / 24°C WB OUTDOOR

4) SOUND PRESSURE LEVEL ARE ACCORDING TO JIS B 8615 STANDARD. POSITION OF THE MEASUREMENT POINT IS 1m IN FRONT AND 1m BELOW THE UNIT.

## General Data - Cooling Only

MODEL	OUTDOOR UNIT		A5MSX30A				
	INDOOR UNIT		A5WMX10G	A5WMX15G	A5WMX20G		
NOMINAL CAPACITY	Btu/h		26000	26000	26000		
	W		7620	7620	7620		
NOMINAL TOTAL INPUT POWER	W		2350	2350	2350		
NOMINAL RUNNING CURRENT	A		10.44	10.44	10.44		
POWER SOURCE	V/Ph/Hz		220 - 240 / 1 / 50	220 - 240 / 1 / 50	220 - 240 / 1 / 50		
REFRIGERANT TYPE			R410A	R410A	R410A		
INDOOR UNIT	AIR FLOW	HIGH	l/s / CFM	142 / 300	157 / 330	261 / 550	
		MEDIUM	l/s / CFM	118 / 250	123 / 260	208 / 440	
		LOW	l/s / CFM	95 / 200	100 / 210	176 / 370	
	SOUND PRESSURE LEVEL (H/M/L)		dB(A)	39 / 34 / 28	42 / 36 / 29	44 / 40 / 35	
	UNIT DIMENSION	HEIGHT	mm/in	260 / 10.2	260 / 10.2	304 / 12.0	
		WIDTH	mm/in	899 / 35.4	899 / 35.4	1062 / 41.8	
		DEPTH	mm/in	198 / 7.8	198 / 7.8	220 / 8.7	
	PACKING DIMENSION	HEIGHT	mm/in	337 / 13.3	337 / 13.3	378 / 14.9	
		WIDTH	mm/in	957 / 37.7	957 / 37.7	1130 / 44.5	
		DEPTH	mm/in	270 / 10.6	270 / 10.6	293 / 11.5	
	UNIT WEIGHT		kg/lb	9.4 / 21.7	9.4 / 21.7	15 / 33.1	
	CONDENSATE DRAIN SIZE		mm/in	16 / 0.63	16 / 0.63	20 / 0.79	
	OUTDOOR UNIT	AIR FLOW		l/s / CFM	1600 / 755	1600 / 755	1600 / 755
SOUND PRESSURE LEVEL			dB(A)	56	56	56	
UNIT DIMENSION		HEIGHT	mm/in	757 / 29.8	757 / 29.8	757 / 29.8	
		WIDTH	mm/in	940 / 37.0	940 / 37.0	940 / 37.0	
		DEPTH	mm/in	392 / 14.3	392 / 14.3	392 / 14.3	
PACKING DIMENSION		HEIGHT	mm/in	793 / 31.3	793 / 31.3	793 / 31.3	
		WIDTH	mm/in	985 / 38.8	985 / 38.8	985 / 38.8	
		DEPTH	mm/in	410 / 16.2	410 / 16.2	410 / 16.2	
UNIT WEIGHT			kg/lb	72 / 158.7	72 / 158.7	72 / 158.7	
PIPE CONNECTION		TYPE			FLARE	FLARE	FLARE
		SIZE	LIQUID	mm/in	4 x (6.4 / 1/4)	4 x (6.4 / 1/4)	4 x (6.4 / 1/4)
			GAS	mm/in	4 x (9.5 / 3/8)	4 x (9.5 / 3/8)	4 x (9.5 / 3/8)
REFRIGERANT CHARGE			kg/lb	3.39 / 7.45	3.39 / 7.45	3.39 / 7.45	

1) ALL SPECIFICATIONS ARE SUBJECTED TO CHANGE BY THE MANUFACTURER WITHOUT PRIOR NOTICE.

2) ALL UNITS ARE BEING TESTED AND COMPLY TO ISO 5151.

3) NOMINAL COOLING AND HEATING CAPACITY ARE BASED ON THE CONDITIONS BELOW :

COOLING - 27°C DB / 19°C WB INDOOR AND 35°C DB / 24°C WB OUTDOOR

4) SOUND PRESSURE LEVEL ARE ACCORDING TO JIS B 8615 STANDARD. POSITION OF THE MEASUREMENT POINT IS 1m IN FRONT AND 1m BELOW THE UNIT.

## General Data - Heatpump

MODEL	OUTDOOR UNIT			A5MSX20AR		
	INDOOR UNIT			A5WMX10GR	A5WMX15GR	
NOMINAL COOLING CAPACITY	Btu/h			19000	19000	
	W			5570	5570	
NOMINAL HEATING CAPACITY	Btu/h			21000	21000	
	W			6150	6150	
NOMINAL TOTAL INPUT POWER (COOLING)	W			1500	1500	
NOMINAL TOTAL INPUT POWER (HEATING)	W			1630	1630	
NOMINAL RUNNING CURRENT (COOLING)	A			6.75	6.75	
NOMINAL RUNNING CURRENT (HEATING)	A			7.38	7.38	
POWER SOURCE	V/Ph/Hz			220 - 240 / 1 / 50	220 - 240 / 1 / 50	
REFRIGERANT TYPE				R-410A	R-410A	
INDOOR UNIT	AIR FLOW	HIGH	l/s / CFM	142 / 300	157 / 330	
		MEDIUM	l/s / CFM	118 / 250	123 / 260	
		LOW	l/s / CFM	95 / 200	100 / 210	
	SOUND PRESSURE LEVEL (H/M/L)		dB(A)	39 / 34 / 28	42 / 36 / 29	
	UNIT DIMENSION	HEIGHT	mm/in	260 / 10.2	260 / 10.2	
		WIDTH	mm/in	899 / 35.4	899 / 35.4	
		DEPTH	mm/in	198 / 7.8	198 / 7.8	
	PACKING DIMENSION	HEIGHT	mm/in	337 / 13.3	337 / 13.3	
		WIDTH	mm/in	957 / 37.7	957 / 37.7	
		DEPTH	mm/in	270 / 10.6	270 / 10.6	
	UNIT WEIGHT		kg/lb	9.4 / 21.7	9.4 / 21.7	
	CONDENSATE DRAIN SIZE		mm/in	16 / 0.63	16 / 0.63	
	OUTDOOR UNIT	AIR FLOW		l/s / CFM	1300 / 613.5	1300 / 613.5
		SOUND PRESSURE LEVEL		dB(A)	52	52
UNIT DIMENSION		HEIGHT	mm/in	755.5 / 29.7	755.5 / 29.7	
		WIDTH	mm/in	940 / 37.0	940 / 37.0	
		DEPTH	mm/in	392 / 14.3	392 / 14.3	
PACKING DIMENSION		HEIGHT	mm/in	790 / 31.1	790 / 31.1	
		WIDTH	mm/in	1015 / 40.0	1015 / 40.0	
		DEPTH	mm/in	402 / 15.8	402 / 15.8	
UNIT WEIGHT		kg/lb	50 / 110.2	50 / 110.2		
PIPE CONNECTION		TYPE		FLARE		
		SIZE	LIQUID	mm/in	2 x (6.4 / 1/4)	2 x (6.4 / 1/4)
	GAS		mm/in	2 x (9.5 / 3/8)	2 x (9.5 / 3/8)	
REFRIGERANT CHARGE		kg/lb	1.65 / 3.64	1.65 / 3.64		

1) ALL SPECIFICATIONS ARE SUBJECTED TO CHANGE BY THE MANUFACTURER WITHOUT PRIOR NOTICE.

2) ALL UNITS ARE BEING TESTED AND COMPLY TO ISO 5151.

3) NOMINAL COOLING AND HEATING CAPACITY ARE BASED ON THE CONDITIONS BELOW :  
COOLING - 27°C DB / 19°C WB INDOOR AND 35°C DB / 24°C WB OUTDOOR

4) SOUND PRESSURE LEVEL ARE ACCORDING TO JIS B 8615 STANDARD. POSITION OF THE MEASUREMENT POINT IS 1m IN FRONT AND 1m BELOW THE UNIT.

## General Data - Heatpump

MODEL	OUTDOOR UNIT			A5MSX25AR		
	INDOOR UNIT			A5WMX10GR	A5WMX15GR	
NOMINAL COOLING CAPACITY	Btu/h			22000	22000	
	W			6450	6450	
NOMINAL HEATING CAPACITY	Btu/h			25000	25000	
	W			7330	7330	
NOMINAL TOTAL INPUT POWER (COOLING)	W			1815	1815	
NOMINAL TOTAL INPUT POWER (HEATING)	W			1900	1900	
NOMINAL RUNNING CURRENT (COOLING)	A			8.13	8.13	
NOMINAL RUNNING CURRENT (HEATING)	A			8.52	8.52	
POWER SOURCE	V/Ph/Hz			220 - 240 / 1 / 50	220 - 240 / 1 / 50	
REFRIGERANT TYPE				R-410A	R-410A	
INDOOR UNIT	AIR FLOW	HIGH	l/s / CFM	142 / 300	157 / 330	
		MEDIUM	l/s / CFM	118 / 250	123 / 260	
		LOW	l/s / CFM	95 / 200	100 / 210	
	SOUND PRESSURE LEVEL (H/M/L)			dB(A)	39 / 34 / 28	42 / 36 / 29
	UNIT DIMENSION	HEIGHT	mm/in	260 / 10.2	260 / 10.2	
		WIDTH	mm/in	899 / 35.4	899 / 35.4	
		DEPTH	mm/in	198 / 7.8	198 / 7.8	
	PACKING DIMENSION	HEIGHT	mm/in	337 / 13.3	337 / 13.3	
		WIDTH	mm/in	957 / 37.7	957 / 37.7	
		DEPTH	mm/in	270 / 10.6	270 / 10.6	
UNIT WEIGHT			kg/lb	9.4 / 21.7	9.4 / 21.7	
CONDENSATE DRAIN SIZE			mm/in	16 / 0.63	16 / 0.63	
OUTDOOR UNIT	AIR FLOW			l/s / CFM	1600 / 755	1600 / 755
	SOUND PRESSURE LEVEL			dB(A)	53	53
	UNIT DIMENSION	HEIGHT	mm/in	757 / 29.8	757 / 29.8	
		WIDTH	mm/in	940 / 37.0	940 / 37.0	
		DEPTH	mm/in	392 / 14.3	392 / 14.3	
	PACKING DIMENSION	HEIGHT	mm/in	790 / 31.1	790 / 31.1	
		WIDTH	mm/in	1015 / 40.0	1015 / 40.0	
		DEPTH	mm/in	402 / 15.8	402 / 15.8	
	UNIT WEIGHT			kg/lb	60 / 132.3	60 / 132.3
	PIPE CONNECTION	TYPE		FLARE		FLARE
SIZE		LIQUID	mm/in	2 x (6.4 / 1/4)	2 x (6.4 / 1/4)	
		GAS	mm/in	2 x (9.5 / 3/8)	2 x (9.5 / 3/8)	
REFRIGERANT CHARGE				kg/lb	2.32 / 5.10	2.32 / 5.10

1) ALL SPECIFICATIONS ARE SUBJECTED TO CHANGE BY THE MANUFACTURER WITHOUT PRIOR NOTICE.

2) ALL UNITS ARE BEING TESTED AND COMPLY TO ISO 5151.

3) NOMINAL COOLING AND HEATING CAPACITY ARE BASED ON THE CONDITIONS BELOW :

COOLING - 27°C DB / 19°C WB INDOOR AND 35°C DB / 24°C WB OUTDOOR

4) SOUND PRESSURE LEVEL ARE ACCORDING TO JIS B 8615 STANDARD. POSITION OF THE MEASUREMENT POINT IS 1m IN FRONT AND 1m BELOW THE UNIT.



## General Data - Heatpump

MODEL		OUTDOOR UNIT		A5MSX25AR	
		INDOOR UNIT		A5WMX20GR	
NOMINAL COOLING CAPACITY		Btu/h		22000	
		W		6450	
NOMINAL HEATING CAPACITY		Btu/h		25000	
		W		7330	
NOMINAL TOTAL INPUT POWER (COOLING)		W		1815	
NOMINAL TOTAL INPUT POWER (HEATING)		W		1900	
NOMINAL RUNNING CURRENT (COOLING)		A		8.13	
NOMINAL RUNNING CURRENT (HEATING)		A		8.52	
POWER SOURCE		V/Ph/Hz		220 - 240 / 1 / 50	
REFRIGERANT TYPE				R-410A	
INDOOR UNIT	AIR FLOW	HIGH		l/s / CFM	236 / 550
		MEDIUM		l/s / CFM	208 / 440
		LOW		l/s / CFM	175 / 370
	SOUND PRESSURE LEVEL (H/M/L)		dBA		44 / 40 / 35
	UNIT DIMENSION	HEIGHT		mm/in	304 / 12.0
		WIDTH		mm/in	1062 / 41.8
		DEPTH		mm/in	220 / 8.7
	PACKING DIMENSION	HEIGHT		mm/in	378 / 12.0
		WIDTH		mm/in	1130 / 44.5
		DEPTH		mm/in	292 / 11.5
	UNIT WEIGHT		kg/lb		15 / 33.1
	CONDENSATE DRAIN SIZE		mm/in		20 / 0.79
	OUTDOOR UNIT	AIR FLOW		l/s / CFM	
SOUND PRESSURE LEVEL		dBA		53	
UNIT DIMENSION		HEIGHT		mm/in	757 / 29.8
		WIDTH		mm/in	940 / 37.0
		DEPTH		mm/in	392 / 14.3
PACKING DIMENSION		HEIGHT		mm/in	790 / 31.1
		WIDTH		mm/in	1015 / 40.0
		DEPTH		mm/in	402 / 15.8
UNIT WEIGHT		kg/lb		60 / 132.3	
PIPE CONNECTION		TYPE		FLARE	
		SIZE	LIQUID	mm/in	2 x (6.4 / 1/4)
	GAS		mm/in	2 x (9.5 / 3/8)	
REFRIGERANT CHARGE		kg/lb		2.32 / 5.10	

1) ALL SPECIFICATIONS ARE SUBJECTED TO CHANGE BY THE MANUFACTURER WITHOUT PRIOR NOTICE.

2) ALL UNITS ARE BEING TESTED AND COMPLY TO ISO 5151.

3) NOMINAL COOLING AND HEATING CAPACITY ARE BASED ON THE CONDITIONS BELOW :

COOLING - 27°C DB / 19°C WB INDOOR AND 35°C DB / 24°C WB OUTDOOR

4) SOUND PRESSURE LEVEL ARE ACCORDING TO JIS B 8615 STANDARD. POSITION OF THE MEASUREMENT POINT IS 1m IN FRONT AND 1m BELOW THE UNIT.

**General Data - Heatpump**

MODEL	OUTDOOR UNIT			A5MSX30AR				
	INDOOR UNIT			A5WMX10GR	A5WMX15GR	A5WMX20GR		
NOMINAL COOLING CAPACITY	Btu/h			26000	26000	26000		
	W			7620	7620	7620		
NOMINAL HEATING CAPACITY	Btu/h			28000	28000	28000		
	W			8210	8210	8210		
NOMINAL TOTAL INPUT POWER (COOLING)	W			2350	2350	2350		
NOMINAL TOTAL INPUT POWER (HEATING)	W			2030	2030	2030		
NOMINAL RUNNING CURRENT (COOLING)	A			10.44	10.44	10.44		
NOMINAL RUNNING CURRENT (HEATING)	A			9.00	9.00	9.00		
POWER SOURCE	V/Ph/Hz			220 - 240 / 1 / 50	220 - 240 / 1 / 50	220 - 240 / 1 / 50		
REFRIGERANT TYPE				R-410A	R-410A	R-410A		
INDOOR UNIT	AIR FLOW	HIGH		l/s / CFM	142 / 300	157 / 330	261 / 550	
		MEDIUM		l/s / CFM	118 / 250	123 / 269	208 / 440	
		LOW		l/s / CFM	95 / 200	100 / 210	176 / 370	
	SOUND PRESSURE LEVEL (H/M/L)			dB(A)	39 / 34 / 28	42 / 36 / 29	44 / 40 / 35	
	UNIT DIMENSION	HEIGHT		mm/in	260 / 10.2	260 / 10.2	304 / 12.0	
		WIDTH		mm/in	899 / 31.5	899 / 31.5	1062 / 41.8	
		DEPTH		mm/in	198 / 7.8	198 / 7.8	220 / 8.7	
	PACKING DIMENSION	HEIGHT		mm/in	337 / 13.3	337 / 13.3	378 / 14.9	
		WIDTH		mm/in	957 / 37.7	957 / 37.7	1130 / 44.5	
		DEPTH		mm/in	270 / 10.6	270 / 10.6	292 / 11.5	
	UNIT WEIGHT			kg/lb	9.4 / 20.7	9.4 / 20.7	15 / 33.1	
	CONDENSATE DRAIN SIZE			mm/in	16 / 0.63	16 / 0.63	20 / 0.79	
	OUTDOOR UNIT	AIR FLOW			l/s / CFM	1600 / 755	1600 / 755	1600 / 755
		SOUND PRESSURE LEVEL			dB(A)	56	56	56
UNIT DIMENSION		HEIGHT		mm/in	757 / 29.8	757 / 29.8	757 / 29.8	
		WIDTH		mm/in	940 / 37.0	940 / 37.0	940 / 37.0	
		DEPTH		mm/in	392 / 14.3	392 / 14.3	392 / 14.3	
PACKING DIMENSION		HEIGHT		mm/in	793 / 31.3	793 / 31.3	793 / 31.3	
		WIDTH		mm/in	985 / 38.8	985 / 38.8	985 / 38.8	
		DEPTH		mm/in	410 / 16.2	410 / 16.2	410 / 16.2	
UNIT WEIGHT			kg/lb	72 / 158.7	72 / 158.7	72 / 158.7		
PIPE CONNECTION		TYPE			FLARE	FLARE	FLARE	
		SIZE	LIQUID		mm/in	4 x (6.4 / 1/4)	4 x (6.4 / 1/4)	4 x (6.4 / 1/4)
	GAS		mm/in	4 x (9.5 / 3/8)	4 x (9.5 / 3/8)	4 x (9.5 / 3/8)		
REFRIGERANT CHARGE				kg/lb	3.39 / 7.45	3.39 / 7.45	3.39 / 7.45	

- 1) ALL SPECIFICATIONS ARE SUBJECTED TO CHANGE BY THE MANUFACTURER WITHOUT PRIOR NOTICE.
- 2) ALL UNITS ARE BEING TESTED AND COMPLY TO ISO 5151.
- 3) NOMINAL COOLING AND HEATING CAPACITY ARE BASED ON THE CONDITIONS BELOW :  
COOLING - 27°C DB / 19°C WB INDOOR AND 35°C DB / 24°C WB OUTDOOR
- 4) SOUND PRESSURE LEVEL ARE ACCORDING TO JIS B 8615 STANDARD. POSITION OF THE MEASUREMENT POINT IS 1m IN FRONT AND 1m BELOW THE UNIT.

## Components Data - Cooling Only

MODEL	OUTDOOR UNIT		A5MSX20A		
	INDOOR UNIT		A5WMX10G	A5WMX15G	
INDOOR FAN	TYPE		ANTI FUNGUS CROSS FLOW FAN	ANTI FUNGUS CROSS FLOW FAN	
	QUANTITY		1	1	
	MATERIAL		ACRYLO NITRILE STYRENE	ACRYLO NITRILE STYRENE	
	DRIVE		DIRECT	DIRECT	
	DIAMETER	mm/in	87 / 3.4	87 / 3.4	
	LENGTH	mm/in	636 / 25.0	636 / 25.0	
INDOOR FAN MOTOR	TYPE		INDUCTION	INDUCTION	
	QUANTITY		1	1	
	INDEX OF PROTECTION (IP)		IP24	IP24	
OUTDOOR FAN	TYPE		PROPELLER	PROPELLER	
	QUANTITY		1	1	
	MATERIAL		GLASS REINFORCED ACRYL STYRENE RESIN	GLASS REINFORCED ACRYL STYRENE RESIN	
	DRIVE		DIRECT	DIRECT	
	DIAMETER	mm/in	406 / 18	406 / 18	
OUTDOOR FAN MOTOR	TYPE		INDUCTION	INDUCTION	
	QUANTITY		1	1	
	INDEX OF PROTECTION (IP)		IP24	IP24	
COMPRESSOR	TYPE		DC BRUSHLESS SCROLL	DC BRUSHLESS SCROLL	
	OIL TYPE		POLYESTER OIL (POE)	POLYESTER OIL (POE)	
	OIL AMOUNT	cm <sup>3</sup> / fl.oz.	480 / 16.2	480 / 16.2	
INDOOR COIL	TUBE	MATERIAL		SEAMLESS INNER GROOVE COPPER	SEAMLESS INNER GROOVE COPPER
		DIAMETER	mm/in	7.00 / 0.276	7.00 / 0.276
		THICKNESS	mm/in	0.28 / 0.011	0.28 / 0.011
	FIN	MATERIAL		ALUMINIUM (HYDROPHILIC FIN)	ALUMINIUM (HYDROPHILIC FIN)
		THICKNESS	mm/in	0.11 / 0.004	0.11 / 0.004
		FACE AREA	m <sup>2</sup> /ft <sup>2</sup>	0.19 / 2.080	0.19 / 2.080
		ROW		2	2
		FIN PER INCH		18	18
OUTDOOR COIL	TUBE	MATERIAL		SEAMLESS INNER GROOVE COPPER	SEAMLESS INNER GROOVE COPPER
		DIAMETER	mm/in	7.00 / 0.276	7.00 / 0.276
		THICKNESS	mm/in	0.32 / 0.013	0.32 / 0.013
	FIN	MATERIAL		ALUMINIUM (HYDROPHILIC FIN)	ALUMINIUM (HYDROPHILIC FIN)
		THICKNESS	mm/in	0.11 / 0.004	0.11 / 0.004
		FACE AREA	m <sup>2</sup> /ft <sup>2</sup>	0.62 / 6.67	0.62 / 6.67
		ROW		2	2
		FIN PER INCH		20	20
AIR QUALITY	FILTER	TYPE		SARANET	SARANET
		QUANTITY	pc	2	2
		TYPE		ANTI-MICROBIAL	ANTI-MICROBIAL
		QUANTITY	pc	1	2
		TYPE		ANTI-MICROBIAL	ANTI-MICROBIAL
		QUANTITY	pc	1	1
CASING	INDOOR UNIT	MATERIAL	HIGH IMPACT POLYSTYRENE	HIGH IMPACT POLYSTYRENE	
		COLOUR	LIGHT GREY	LIGHT GREY	
	OUTDOOR UNIT	MATERIAL	GALVANISED MILD STEEL	GALVANISED MILD STEEL	
		COLOUR	LIGHT GREY	LIGHT GREY	

1) ALL SPECIFICATIONS ARE SUBJECTED TO CHANGE BY THE MANUFACTURER WITHOUT PRIOR NOTICE.

## Components Data - Cooling Only

MODEL	OUTDOOR UNIT		A5MSX25A			
	INDOOR UNIT		A5WMX10G	A5WMX15G		
INDOOR FAN	TYPE		ANTI FUNGUS CROSS FLOW FAN	ANTI FUNGUS CROSS FLOW FAN		
	QUANTITY		1	1		
	MATERIAL		ACRYLO NITRILE STYRENE	ACRYLO NITRILE STYRENE		
	DRIVE		DIRECT	DIRECT		
	DIAMETER	mm/in	87 / 3.4	87 / 3.4		
	LENGTH	mm/in	636 / 25.0	636 / 25.0		
INDOOR FAN MOTOR	TYPE		INDUCTION	INDUCTION		
	QUANTITY		1	1		
	INDEX OF PROTECTION (IP)		IP24	IP24		
OUTDOOR FAN	TYPE		PROPELLER	PROPELLER		
	QUANTITY		1	1		
	MATERIAL		GLASS REINFORCED ACRYL STYRENE RESIN	GLASS REINFORCED ACRYL STYRENE RESIN		
	DRIVE		DIRECT	DIRECT		
	DIAMETER	mm/in	406 / 18	406 / 18		
OUTDOOR FAN MOTOR	TYPE		INDUCTION	INDUCTION		
	QUANTITY		1	1		
	INDEX OF PROTECTION (IP)		IP24	IP24		
COMPRESSOR	TYPE		DC INVERTER TWIN ROTARY	DC INVERTER TWIN ROTARY		
	OIL TYPE		POLYVINYLETHER OIL (PVE)	POLYVINYLETHER OIL (PVE)		
	OIL AMOUNT	cm <sup>3</sup> / fl.oz.	800 / 27.1	800 / 27.1		
INDOOR COIL	TUBE	MATERIAL		SEAMLESS INNER GROOVE COPPER	SEAMLESS INNER GROOVE COPPER	
		DIAMETER	mm/in	7.00 / 0.276	7.00 / 0.276	
		THICKNESS	mm/in	0.28 / 0.011	0.28 / 0.011	
	FIN	MATERIAL		ALUMINIUM (HYDROPHILIC FIN)	ALUMINIUM (HYDROPHILIC FIN)	
		THICKNESS	mm/in	0.11 / 0.004	0.11 / 0.004	
		FACE AREA	m <sup>2</sup> /ft <sup>2</sup>	0.19 / 2.080	0.19 / 2.080	
		ROW		2	2	
		FIN PER INCH		18	18	
	OUTDOOR COIL	TUBE	MATERIAL		SEAMLESS INNER GROOVE COPPER	SEAMLESS INNER GROOVE COPPER
			DIAMETER	mm/in	7.00 / 0.276	7.00 / 0.276
THICKNESS			mm/in	0.32 / 0.013	0.32 / 0.013	
FIN		MATERIAL		ALUMINIUM (HYDROPHILIC FIN)	ALUMINIUM (HYDROPHILIC FIN)	
		THICKNESS	mm/in	0.11 / 0.004	0.11 / 0.004	
		FACE AREA	m <sup>2</sup> /ft <sup>2</sup>	0.62 / 6.670	0.62 / 6.67	
		ROW		2	2	
		FIN PER INCH		20	20	
AIR QUALITY	FILTER	TYPE		SARANET	SARANET	
		QUANTITY	pc	2	2	
		TYPE		ANTI-MICROBIAL	ANTI-MICROBIAL	
		QUANTITY	pc	1	2	
		TYPE		TITANIUM OXIDE	TITANIUM OXIDE	
		QUANTITY	pc	1	1	
CASING	INDOOR UNIT		MATERIAL	HIGH IMPACT POLYSTYRENE	HIGH IMPACT POLYSTYRENE	
			COLOUR	LIGHT GREY	LIGHT GREY	
	OUTDOOR UNIT		MATERIAL	GALVANISED MILD STEEL	GALVANISED MILD STEEL	
			COLOUR	LIGHT GREY	LIGHT GREY	

1) ALL SPECIFICATIONS ARE SUBJECTED TO CHANGE BY THE MANUFACTURER WITHOUT PRIOR NOTICE.

## Components Data - Cooling Only

MODEL	OUTDOOR UNIT		A5MSX25A	
	INDOOR UNIT		A5WMX20G	
INDOOR FAN	TYPE		ANTI FUNGUS CROSS FLOW FAN	
	QUANTITY		1	
	MATERIAL		ACRYLO NITRILE STYRENE	
	DRIVE		DIRECT	
	DIAMETER	mm/in	87 / 3.4	
	LENGTH	mm/in	636 / 25.0	
INDOOR FAN MOTOR	TYPE		INDUCTION	
	QUANTITY		1	
	INDEX OF PROTECTION (IP)		IP24	
OUTDOOR FAN	TYPE		PROPELLER	
	QUANTITY		1	
	MATERIAL		GLASS REINFORCED ACRYL STYRENE RESIN	
	DRIVE		DIRECT	
	DIAMETER	mm/in	406 / 18	
OUTDOOR FAN MOTOR	TYPE		INDUCTION	
	QUANTITY		1	
	INDEX OF PROTECTION (IP)		IP24	
COMPRESSOR	TYPE		DC INVERTER TWIN ROTARY	
	OIL TYPE		POLYVINYLEETHER OIL (PVE)	
	OIL AMOUNT	cm <sup>3</sup> / fl.oz.	800 / 27.1	
INDOOR COIL	TUBE	MATERIAL		SEAMLESS INNER GROOVE COPPER
		DIAMETER	mm/in	7.00 / 0.276
		THICKNESS	mm/in	0.28 / 0.011
	FIN	MATERIAL		ALUMINIUM (HYDROPHILIC FIN)
		THICKNESS	mm/in	0.11 / 0.004
		FACE AREA	m <sup>2</sup> /ft <sup>2</sup>	0.27 / 2.900
		ROW		2
		FIN PER INCH		18
OUTDOOR COIL	TUBE	MATERIAL		SEAMLESS INNER GROOVE COPPER
		DIAMETER	mm/in	7.00 / 0.276
		THICKNESS	mm/in	0.32 / 0.013
	FIN	MATERIAL		ALUMINIUM (HYDROPHILIC FIN)
		THICKNESS	mm/in	0.11 / 0.004
		FACE AREA	m <sup>2</sup> /ft <sup>2</sup>	0.62 / 6.670
		ROW		2
		FIN PER INCH		20
AIR QUALITY	FILTER	TYPE		SARANET
		QUANTITY	pc	2
		TYPE		ANTI-MICROBIAL
		QUANTITY	pc	1
		TYPE		TITANIUM OXIDE
		QUANTITY	pc	1
CASING	INDOOR UNIT	MATERIAL	HIGH IMPACT POLYSTYRENE	
		COLOUR	LIGHT GREY	
	OUTDOOR UNIT	MATERIAL	GALVANISED MILD STEEL	
		COLOUR	LIGHT GREY	

1) ALL SPECIFICATIONS ARE SUBJECTED TO CHANGE BY THE MANUFACTURER WITHOUT PRIOR NOTICE.

## Components Data - Cooling Only

MODEL	OUTDOOR UNIT		A5MSX30A			
	INDOOR UNIT		A5WMX10G	A5WMX15G	A5WMX20G	
INDOOR FAN	TYPE		ANTI FUNGUS CROSS FLOW FAN	ANTI FUNGUS CROSS FLOW FAN	ANTI FUNGUS CROSS FLOW FAN	
	QUANTITY		1	1	1	
	MATERIAL		ACRYLO NITRILE STYRENE	ACRYLO NITRILE STYRENE	ACRYLO NITRILE STYRENE	
	DRIVE		DIRECT	DIRECT	DIRECT	
	DIAMETER	mm/in	87 / 3.4	87 / 3.4	87 / 3.4	
	LENGTH	mm/in	636 / 25.0	636 / 25.0	636 / 25.0	
INDOOR FAN MOTOR	TYPE		INDUCTION	INDUCTION	INDUCTION	
	QUANTITY		1	1	1	
	INDEX OF PROTECTION (IP)		IP24	IP24	IP24	
OUTDOOR FAN	TYPE		PROPELLER	PROPELLER	PROPELLER	
	QUANTITY		1	1	1	
	MATERIAL		GLASS REINFORCED ACRYL STYRENE RESIN	GLASS REINFORCED ACRYL STYRENE RESIN	GLASS REINFORCED ACRYL STYRENE RESIN	
	DRIVE		DIRECT	DIRECT	DIRECT	
	DIAMETER	mm/in	406 / 18	406 / 18	406 / 18	
OUTDOOR FAN MOTOR	TYPE		INDUCTION	INDUCTION	INDUCTION	
	QUANTITY		1	1	1	
	INDEX OF PROTECTION (IP)		IP24	IP24	IP24	
COMPRESSOR	TYPE		DC INVERTER TWIN ROTARY	DC INVERTER TWIN ROTARY	DC INVERTER TWIN ROTARY	
	OIL TYPE		POLYVINYLETHER OIL (PVE)	POLYVINYLETHER OIL (PVE)	POLYVINYLETHER OIL (PVE)	
	OIL AMOUNT	cm <sup>3</sup> / fl.oz.	800 / 27.1	800 / 27.1	800 / 27.1	
INDOOR COIL	TUBE	MATERIAL		SEAMLESS INNER GROOVE COPPER	SEAMLESS INNER GROOVE COPPER	SEAMLESS INNER GROOVE COPPER
		DIAMETER	mm/in	7.00 / 0.276	7.00 / 0.276	7.00 / 0.276
		THICKNESS	mm/in	0.28 / 0.011	0.28 / 0.011	0.28 / 0.011
	FIN	MATERIAL		ALUMINIUM (HYDROPHILIC FIN)	ALUMINIUM (HYDROPHILIC FIN)	ALUMINIUM (HYDROPHILIC FIN)
		THICKNESS	mm/in	0.11 / 0.004	0.11 / 0.004	0.11 / 0.004
		FACE AREA	m <sup>2</sup> /ft <sup>2</sup>	0.32 / 3.420	0.32 / 3.420	0.32 / 3.420
		ROW		2	2	2
		FIN PER INCH		18	18	18
OUTDOOR COIL	TUBE	MATERIAL		SEAMLESS INNER GROOVE COPPER	SEAMLESS INNER GROOVE COPPER	SEAMLESS INNER GROOVE COPPER
		DIAMETER	mm/in	7.00 / 0.276	7.00 / 0.276	7.00 / 0.276
		THICKNESS	mm/in	0.32 / 0.013	0.32 / 0.013	0.32 / 0.013
	FIN	MATERIAL		ALUMINIUM (HYDROPHILIC FIN)	ALUMINIUM (HYDROPHILIC FIN)	ALUMINIUM (HYDROPHILIC FIN)
		THICKNESS	mm/in	0.11 / 0.004	0.11 / 0.004	0.11 / 0.004
		FACE AREA	m <sup>2</sup> /ft <sup>2</sup>	0.62 / 6.67 + 0.23 / 3.06	0.62 / 6.67 + 0.23 / 3.06	0.62 / 6.67 + 0.23 / 3.06
		ROW		2 + 1	2 + 1	2 + 1
		FIN PER INCH		18	18	18
AIR QUALITY	FILTER	TYPE		SARANET	SARANET	SARANET
		QUANTITY	pc	2	2	2
		TYPE		ANTI-MICROBIAL	ANTI-MICROBIAL	ANTI-MICROBIAL
		QUANTITY	pc	1	1	1
		TYPE		TITANIUM OXIDE	TITANIUM OXIDE	TITANIUM OXIDE
		QUANTITY	pc	1	1	1
CASING	INDOOR UNIT	MATERIAL	HIGH IMPACT POLYSTYRENE	HIGH IMPACT POLYSTYRENE	HIGH IMPACT POLYSTYRENE	
		COLOUR	LIGHT GREY	LIGHT GREY	LIGHT GREY	
	OUTDOOR UNIT	MATERIAL	GALVANISED MILD STEEL	GALVANISED MILD STEEL	GALVANISED MILD STEEL	
		COLOUR	LIGHT GREY	LIGHT GREY	LIGHT GREY	

1) ALL SPECIFICATIONS ARE SUBJECTED TO CHANGE BY THE MANUFACTURER WITHOUT PRIOR NOTICE.

## Components Data - Heatpump

MODEL	INDOOR UNIT		A5MSX20AR		
	OUTDOOR UNIT		A5WMX10GR	A5WMX15GR	
INDOOR FAN	TYPE		ANTI FUNGUS CROSS FLOW FAN	ANTI FUNGUS CROSS FLOW FAN	
	QUANTITY		1	1	
	MATERIAL		ACRYLO NITRILE STYRENE	ACRYLO NITRILE STYRENE	
	DRIVE		DIRECT	DIRECT	
	DIAMETER	mm/in	87 / 3.4	87 / 3.4	
LENGTH		mm/in	636 / 25.0	636 / 25.0	
INDOOR FAN MOTOR	TYPE		INDUCTION	INDUCTION	
	QUANTITY		1	1	
	INDEX OF PROTECTION (IP)		IP24	IP24	
OUTDOOR FAN	TYPE		PROPELLER	PROPELLER	
	QUANTITY		1	1	
	MATERIAL		GLASS REINFORCED ACRYL STYRENE RESIN	GLASS REINFORCED ACRYL STYRENE RESIN	
	DRIVE		DIRECT	DIRECT	
DIAMETER		mm/in	406 / 18	406 / 18	
OUTDOOR FAN MOTOR	TYPE		INDUCTION	INDUCTION	
	QUANTITY		1	1	
	INDEX OF PROTECTION (IP)		IP24	IP24	
COMPRESSOR	TYPE		DC BRUSHLESS SCROLL	DC BRUSHLESS SCROLL	
	OIL TYPE		POLYESTER OIL (POE)	POLYESTER OIL (POE)	
	OIL AMOUNT		cm <sup>3</sup> / fl.oz.	480 / 16.2	480 / 16.2
INDOOR COIL	TUBE	MATERIAL		SEAMLESS INNER GROOVE COPPER	SEAMLESS INNER GROOVE COPPER
		DIAMETER	mm/in	7.00 / 0.276	7.00 / 0.276
		THICKNESS	mm/in	0.28 / 0.011	0.28 / 0.011
	FIN	MATERIAL		ALUMINIUM (HYDROPHILIC FIN)	ALUMINIUM (HYDROPHILIC FIN)
		THICKNESS	mm/in	0.11 / 0.004	0.11 / 0.004
		FACE AREA	m <sup>2</sup> /ft <sup>2</sup>	0.19 / 2.080	0.19 / 2.080
		ROW		2	2
FIN PER INCH			18	18	
OUTDOOR COIL	TUBE	MATERIAL		SEAMLESS INNER GROOVE COPPER	SEAMLESS INNER GROOVE COPPER
		DIAMETER	mm/in	7.00 / 0.276	7.00 / 0.276
		THICKNESS	mm/in	0.32 / 0.013	0.32 / 0.013
	FIN	MATERIAL		ALUMINIUM (HYDROPHILIC FIN)	ALUMINIUM (HYDROPHILIC FIN)
		THICKNESS	mm/in	0.11 / 0.004	0.11 / 0.004
		FACE AREA	m <sup>2</sup> /ft <sup>2</sup>	0.62 / 6.67	0.62 / 6.67
		ROW		2	2
FIN PER INCH			20	20	
AIR QUALITY	FILTER	TYPE		SARANET	SARANET
		QUANTITY	pc	2	2
		TYPE		ANTI-MICROBIAL	ANTI-MICROBIAL
		QUANTITY	pc	1	2
		TYPE		ANTI-MICROBIAL	ANTI-MICROBIAL
QUANTITY		pc	1	1	
CASING	INDOOR UNIT		MATERIAL	HIGH IMPACT POLYSTYRENE	HIGH IMPACT POLYSTYRENE
			COLOUR	LIGHT GREY	LIGHT GREY
	OUTDOOR UNIT		MATERIAL	GALVANISED MILD STEEL	GALVANISED MILD STEEL
			COLOUR	LIGHT GREY	LIGHT GREY

1) ALL SPECIFICATIONS ARE SUBJECTED TO CHANGE BY THE MANUFACTURER WITHOUT PRIOR NOTICE.

## Components Data - Heatpump

MODEL	OUTDOOR UNIT		A5MSX25AR		
	INDOOR UNIT		A5WMX10GR	A5WMX15GR	
INDOOR FAN	TYPE		ANTI FUNGUS CROSS FLOW FAN	ANTI FUNGUS CROSS FLOW FAN	
	QUANTITY		1	1	
	MATERIAL		ACRYLO NITRILE STYRENE	ACRYLO NITRILE STYRENE	
	DRIVE		DIRECT	DIRECT	
	DIAMETER	mm/in	87 / 3.4	87 / 3.4	
	LENGTH	mm/in	636 / 25.0	636 / 25.0	
INDOOR FAN MOTOR	TYPE		INDUCTION	INDUCTION	
	QUANTITY		1	1	
	INDEX OF PROTECTION (IP)		IP24	IP24	
OUTDOOR FAN	TYPE		PROPELLER		
	QUANTITY		1	1	
	MATERIAL		GLASS REINFORCED ACRYL STYRENE RESIN	GLASS REINFORCED ACRYL STYRENE RESIN	
	DRIVE		DIRECT	DIRECT	
	DIAMETER	mm/in	406 / 18	406 / 18	
OUTDOOR FAN MOTOR	TYPE		INDUCTION	INDUCTION	
	QUANTITY		1	1	
	INDEX OF PROTECTION (IP)		IP24	IP24	
COMPRESSOR	TYPE		DC INVERTER TWIN ROTARY	DC INVERTER TWIN ROTARY	
	OIL TYPE		POLYVINYLETHER OIL (PVE)	POLYVINYLETHER OIL (PVE)	
	OIL AMOUNT	cm <sup>3</sup> / fl.oz.	800 / 27.1	800 / 27.1	
INDOOR COIL	TUBE	MATERIAL		SEAMLESS INNER GROOVE COPPER	SEAMLESS INNER GROOVE COPPER
		DIAMETER	mm/in	7.00 / 0.276	7.00 / 0.276
		THICKNESS	mm/in	0.28 / 0.011	0.28 / 0.011
	FIN	MATERIAL		ALUMINIUM (HYDROPHILIC FIN)	ALUMINIUM (HYDROPHILIC FIN)
		THICKNESS	mm/in	0.11 / 0.004	0.11 / 0.004
		FACE AREA	m <sup>2</sup> /ft <sup>2</sup>	0.19 / 2.080	0.19 / 2.080
		ROW		2	2
		FIN PER INCH		18	18
OUTDOOR COIL	TUBE	MATERIAL		SEAMLESS INNER GROOVE COPPER	SEAMLESS INNER GROOVE COPPER
		DIAMETER	mm/in	7.00 / 0.276	7.00 / 0.276
		THICKNESS	mm/in	0.32 / 0.013	0.32 / 0.013
	FIN	MATERIAL		ALUMINIUM (HYDROPHILIC FIN)	ALUMINIUM (HYDROPHILIC FIN)
		THICKNESS	mm/in	0.11 / 0.004	0.11 / 0.004
		FACE AREA	m <sup>2</sup> /ft <sup>2</sup>	0.62 / 6.670	0.62 / 6.670
		ROW		2	2
		FIN PER INCH		20	20
AIR QUALITY	FILTER	TYPE		SARANET	SARANET
		QUANTITY	pc	2	2
		TYPE		ANTI-MICROBIAL	ANTI-MICROBIAL
		QUANTITY	pc	1	2
		TYPE		TITANIUM OXIDE	TITANIUM OXIDE
		QUANTITY	pc	1	1
CASING	INDOOR UNIT	MATERIAL	HIGH IMPACT POLYSTYRENE	HIGH IMPACT POLYSTYRENE	
		COLOUR	LIGHT GREY	LIGHT GREY	
	OUTDOOR UNIT	MATERIAL	GALVANISED MILD STEEL	GALVANISED MILD STEEL	
		COLOUR	LIGHT GREY	LIGHT GREY	

1) ALL SPECIFICATIONS ARE SUBJECTED TO CHANGE BY THE MANUFACTURER WITHOUT PRIOR NOTICE.



## Components Data - Heatpump

MODEL	OUTDOOR UNIT		A5MSX25AR	
	INDOOR UNIT		A5WMX20GR	
INDOOR FAN	TYPE		ANTI FUNGUS CROSS FLOW FAN	
	QUANTITY		1	
	MATERIAL		ACRYLO NITRILE STYRENE	
	DRIVE		DIRECT	
	DIAMETER	mm/in	87 / 3.4	
	LENGTH	mm/in	636 / 25.0	
INDOOR FAN MOTOR	TYPE		INDUCTION	
	QUANTITY		1	
	INDEX OF PROTECTION (IP)		IP24	
OUTDOOR FAN	TYPE		PROPELLER	
	QUANTITY		1	
	MATERIAL		GLASS REINFORCED ACRYL STYRENE RESIN	
	DRIVE		DIRECT	
	DIAMETER	mm/in	406 / 18	
OUTDOOR FAN MOTOR	TYPE		INDUCTION	
	QUANTITY		1	
	INDEX OF PROTECTION (IP)		IP24	
COMPRESSOR	TYPE		DC INVERTER TWIN ROTARY	
	OIL TYPE		POLYVINYLETHER OIL (PVE)	
	OIL AMOUNT	cm <sup>3</sup> / fl.oz.	800 / 27.1	
INDOOR COIL	TUBE	MATERIAL		SEAMLESS INNER GROOVE COPPER
		DIAMETER	mm/in	7.00 / 0.276
		THICKNESS	mm/in	0.28 / 0.011
	FIN	MATERIAL		ALUMINIUM (HYDROPHILIC FIN)
		THICKNESS	mm/in	0.11 / 0.004
		FACE AREA	m <sup>2</sup> /ft <sup>2</sup>	0.27 / 2.900
		ROW		2
		FIN PER INCH		18
OUTDOOR COIL	TUBE	MATERIAL		SEAMLESS INNER GROOVE COPPER
		DIAMETER	mm/in	7.00 / 0.276
		THICKNESS	mm/in	0.32 / 0.013
	FIN	MATERIAL		ALUMINIUM (HYDROPHILIC FIN)
		THICKNESS	mm/in	0.11 / 0.004
		FACE AREA	m <sup>2</sup> /ft <sup>2</sup>	0.62 / 6.67
		ROW		2
		FIN PER INCH		20
AIR QUALITY	FILTER	TYPE		SARANET
		QUANTITY	pc	2
		TYPE		ANTI-MICROBIAL
		QUANTITY	pc	1
		TYPE		TITANIUM OXIDE
		QUANTITY	pc	1
CASING	INDOOR UNIT	MATERIAL	HIGH IMPACT POLYSTYRENE	
		COLOUR	LIGHT GREY	
	OUTDOOR UNIT	MATERIAL	GALVANISED MILD STEEL	
		COLOUR	LIGHT GREY	

1) ALL SPECIFICATIONS ARE SUBJECTED TO CHANGE BY THE MANUFACTURER WITHOUT PRIOR NOTICE.

## Components Data - Heatpump

MODEL	OUTDOOR UNIT		A5MSX30AR				
	INDOOR UNIT		A5WMX10GR	A5WMX15GR	A5WMX20GR		
INDOOR FAN	TYPE		ANTI FUNGUS CROSS FLOW FAN	ANTI FUNGUS CROSS FLOW FAN	ANTI FUNGUS CROSS FLOW FAN		
	QUANTITY		1	1	1		
	MATERIAL		ACRYLO NITRILE STYRENE	ACRYLO NITRILE STYRENE	ACRYLO NITRILE STYRENE		
	DRIVE		DIRECT	DIRECT	DIRECT		
	DIAMETER	mm/in	87 / 3.4	87 / 3.4	87 / 3.4		
LENGTH		636 / 25.0	636 / 25.0	636 / 25.0			
INDOOR FAN MOTOR	TYPE		INDUCTION	INDUCTION	INDUCTION		
	QUANTITY		1	1	1		
	INDEX OF PROTECTION (IP)		IP24	IP24	IP24		
OUTDOOR FAN	TYPE		PROPELLER	PROPELLER	PROPELLER		
	QUANTITY		1	1	1		
	MATERIAL		GLASS REINFORCED ACRYL STYRENE RESIN	GLASS REINFORCED ACRYL STYRENE RESIN	GLASS REINFORCED ACRYL STYRENE RESIN		
	DRIVE		DIRECT	DIRECT	DIRECT		
	DIAMETER	mm/in	406 / 18	406 / 18	406 / 18		
OUTDOOR FAN MOTOR	TYPE		INDUCTION	INDUCTION	INDUCTION		
	QUANTITY		1	1	1		
	INDEX OF PROTECTION (IP)		IP24	IP24	IP24		
COMPRESSOR	TYPE		DC INVERTER TWIN ROTARY	DC INVERTER TWIN ROTARY	DC INVERTER TWIN ROTARY		
	OIL TYPE		POLYVINYLETHER OIL (PVE)	POLYVINYLETHER OIL (PVE)	POLYVINYLETHER OIL (PVE)		
	OIL AMOUNT	cm <sup>3</sup> / fl.oz.	800 / 27.1	800 / 27.1	800 / 27.1		
INDOOR COIL	TUBE	MATERIAL		SEAMLESS INNER GROOVE COPPER	SEAMLESS INNER GROOVE COPPER	SEAMLESS INNER GROOVE COPPER	
		DIAMETER	mm/in	7.00 / 0.276	7.00 / 0.276	7.00 / 0.276	
		THICKNESS	mm/in	0.28 / 0.011	0.28 / 0.011	0.28 / 0.011	
	FIN	MATERIAL		ALUMINIUM (HYDROPHILIC FIN)	ALUMINIUM (HYDROPHILIC FIN)	ALUMINIUM (HYDROPHILIC FIN)	
		THICKNESS	mm/in	0.11 / 0.004	0.11 / 0.004	0.11 / 0.004	
		FACE AREA	m <sup>2</sup> /ft <sup>2</sup>	0.32 / 3.420	0.32 / 3.420	0.32 / 3.420	
		ROW		2	2	2	
		FIN PER INCH		18	18	18	
	OUTDOOR COIL	TUBE	MATERIAL		SEAMLESS INNER GROOVE COPPER	SEAMLESS INNER GROOVE COPPER	SEAMLESS INNER GROOVE COPPER
			DIAMETER	mm/in	7.00 / 0.276	7.00 / 0.276	7.00 / 0.276
THICKNESS			mm/in	0.32 / 0.013	0.32 / 0.013	0.32 / 0.013	
FIN		MATERIAL		ALUMINIUM (HYDROPHILIC FIN)	ALUMINIUM (HYDROPHILIC FIN)	ALUMINIUM (HYDROPHILIC FIN)	
		THICKNESS	mm/in	0.11 / 0.004	0.11 / 0.004	0.11 / 0.004	
		FACE AREA	m <sup>2</sup> /ft <sup>2</sup>	0.62 / 6.67 + 0.23 / 3.06	0.62 / 6.67 + 0.23 / 3.06	0.62 / 6.67 + 0.23 / 3.06	
		ROW		2 + 1	2 + 1	2 + 1	
		FIN PER INCH		18	18	18	
AIR QUALITY	FILTER	TYPE		SARANET	SARANET	SARANET	
		QUANTITY	pc	2	2	2	
		TYPE		ANTI-MICROBIAL	ANTI-MICROBIAL	ANTI-MICROBIAL	
		QUANTITY	pc	1	1	1	
		TYPE		TITANIUM OXIDE	TITANIUM OXIDE	TITANIUM OXIDE	
		QUANTITY	pc	1	1	1	
CASING	INDOOR UNIT	MATERIAL	HIGH IMPACT POLYSTYRENE	HIGH IMPACT POLYSTYRENE	HIGH IMPACT POLYSTYRENE		
		COLOUR	LIGHT GREY	LIGHT GREY	LIGHT GREY		
	OUTDOOR UNIT	MATERIAL	GALVANISED MILD STEEL	GALVANISED MILD STEEL	GALVANISED MILD STEEL		
		COLOUR	LIGHT GREY	LIGHT GREY	LIGHT GREY		

1) ALL SPECIFICATIONS ARE SUBJECTED TO CHANGE BY THE MANUFACTURER WITHOUT PRIOR NOTICE.

# Performance Data

Model: A5MSX20A - A5WMX-G  
Cooling Mode

INDOOR OPERATING UNIT	NOMINAL COOLING CAPACITY								INPUT POWER (W)		RUNNING CURRENT (A)	
	INDIVIDUAL INDOOR		TOTAL									
	A (BTU/h)	B (BTU/h)	BTU/h		kcal/h		KW					
	RATED	RATED	RATED	(MAX)	RATED	(MAX)	RATED	(MAX)	RATED	(MAX)	RATED	(MAX)
10	9000	-	9000	(10000)	2268	(2520)	2.64	(2.93)	870	(960)	3.92	(4.32)
15	12000	-	12000	(13000)	3024	(3276)	3.52	(3.81)	1145	(1440)	5.15	(6.48)
10 + 10	9000	9000	18000	(21000)	4536	(5292)	5.28	(6.15)	1420	(1870)	6.39	(8.42)
10 + 15	9000	9500	18500	(21000)	4662	(5292)	5.42	(6.15)	1460	(1870)	6.57	(8.42)
15 + 15	9500	9500	19000	(21000)	4788	(5292)	5.57	(6.15)	1500	(1870)	6.75	(8.42)

Model: A5MSX20AR - A5WMX-GR  
Heating Mode

INDOOR OPERATING UNIT	NOMINAL HEATING CAPACITY								INPUT POWER (W)		RUNNING CURRENT (A)	
	INDIVIDUAL INDOOR		TOTAL									
	A (BTU/h)	B (BTU/h)	BTU/h		kcal/h		KW					
	RATED	RATED	RATED	(MAX)	RATED	(MAX)	RATED	(MAX)	RATED	(MAX)	RATED	(MAX)
10	11000	-	11000	(12000)	2772	(3024)	3.22	(3.52)	1040	(1135)	4.68	(5.11)
15	13000	-	13000	(15000)	3276	(3780)	3.81	(4.40)	1230	(1660)	5.54	(7.47)
10 + 10	10000	10000	20000	(23000)	5040	(5796)	5.86	(6.74)	1550	(1950)	6.98	(8.78)
10 + 15	10000	10500	20500	(23000)	5166	(5796)	6.01	(6.74)	1590	(1950)	7.16	(8.78)
15 + 15	10500	10500	21000	(23000)	5292	(5796)	6.15	(6.74)	1630	(1950)	7.34	(8.78)

## Model: A5MSX25A - A5WMX-G

## Cooling Mode

INDOOR OPERATING UNIT (A5WMX-G)	NOMINAL COOLING CAPACITY									INPUT POWER (W)		RUNNING CURRENT (A)	
	INDIVIDUAL INDOOR			TOTAL									
	A	B	C	BTU/h		kcal/h		KW		RATED	(MAX)	RATED	(MAX)
10	9000	-	-	9000	(10000)	2268	(2520)	2.64	(2.93)	592	(724)	3.18	(3.39)
15	12000	-	-	12000	(13500)	3024	(3402)	3.52	(3.96)	969	(1207)	4.44	(5.47)
20	18000	-	-	18000	(19000)	4536	(4788)	5.28	(5.57)	1595	(1944)	7.22	(8.71)
10 + 10	9000	9000	-	18000	(20000)	4536	(5040)	5.28	(5.86)	1474	(1838)	6.68	(8.32)
10 + 15	8000	12000	-	20000	(21000)	5040	(5292)	5.86	(6.15)	1573	(2065)	9.26	(9.35)
10 + 20	7400	14600	-	22000	(24000)	5544	(6048)	6.45	(7.03)	1802	(2205)	8.08	(9.86)
15 + 15	11000	11000	-	22000	(24000)	5544	(6048)	6.45	(7.03)	1814	(2200)	8.13	(9.86)
15 + 20	8800	13200	-	22000	(24000)	5544	(6048)	6.45	(7.03)	1814	(2200)	8.13	(9.86)
10 + 10 + 10	7300	7300	7300	21900	(24000)	5519	(6048)	6.42	(7.03)	1814	(2200)	8.13	(9.86)
10 + 10 + 15	6600	6600	8800	22000	(24000)	5544	(6048)	6.45	(7.03)	1814	(2200)	8.13	(9.86)
10 + 10 + 20	5500	5500	11000	22000	(24000)	5544	(6048)	6.45	(7.03)	1814	(2200)	8.13	(9.86)
10 + 15 + 15	6020	7990	7990	22000	(24000)	5544	(6048)	6.45	(7.03)	1814	(2200)	8.13	(9.86)
10 + 15 + 20	5080	6750	10170	22000	(24000)	5544	(6048)	6.45	(7.03)	1814	(2200)	8.13	(9.86)
15 + 15 + 15	7350	7350	7350	22050	(24000)	5557	(6048)	6.46	(7.03)	1814	(2200)	8.13	(9.86)

## Model: A5MSX25AR - A5WMX-GR

## Heating Mode

INDOOR OPERATING UNIT (A5WMX-GR)	NOMINAL COOLING CAPACITY									INPUT POWER (W)		RUNNING CURRENT (A)	
	INDIVIDUAL INDOOR			TOTAL									
	A	B	C	BTU/h		kcal/h		KW		RATED	(MAX)	RATED	(MAX)
10	11000	-	-	11000	(12000)	2772	(3024)	3.22	(3.52)	1317	(1618)	5.97	(7.25)
15	11000	-	-	11000	(13000)	2772	(3276)	3.22	(3.81)	1676	(2149)	7.51	(9.53)
20	19000	-	-	19000	(20000)	4788	(5040)	5.57	(5.86)	2133	(2489)	9.46	(11.04)
10 + 10	11000	11000	-	22000	(23000)	5544	(5796)	6.45	(6.74)	1953	(2248)	8.85	(10.18)
10 + 15	10000	13000	-	23000	(24000)	5796	(6048)	6.74	(7.03)	2042	(2346)	9.16	(10.40)
10 + 20	8000	16000	-	24000	(26000)	6048	(6552)	7.03	(7.62)	2033	(2527)	9.21	(11.30)
15 + 15	12000	12000	-	24000	(26000)	6048	(6552)	7.03	(7.62)	1990	(2410)	8.92	(10.70)
15 + 20	9600	14400	-	24000	(26000)	6048	(6552)	7.03	(7.62)	1990	(2410)	8.92	(10.70)
10 + 10 + 10	8300	8300	8300	24900	(26000)	6275	(6552)	7.30	(7.62)	1900	(2155)	8.52	(9.57)
10 + 10 + 15	7300	7300	10400	25000	(26000)	6300	(6552)	7.33	(7.62)	1900	(2155)	8.52	(9.57)
10 + 10 + 20	6000	6000	13000	25000	(26000)	6300	(6552)	7.33	(7.62)	1900	(2155)	8.52	(9.57)
10 + 15 + 15	7000	9000	9000	25000	(26000)	6300	(6552)	7.33	(7.62)	1900	(2155)	8.52	(9.57)
10 + 15 + 20	6700	7800	10500	25000	(26000)	6300	(6552)	7.33	(7.62)	1900	(2155)	8.52	(9.57)
15 + 15 + 15	8350	8350	8350	25050	(26000)	6312	(6552)	7.34	(7.62)	1900	(2155)	8.52	(9.57)

**Model: A5MSX30A - A5WMX-G**  
Cooling Mode

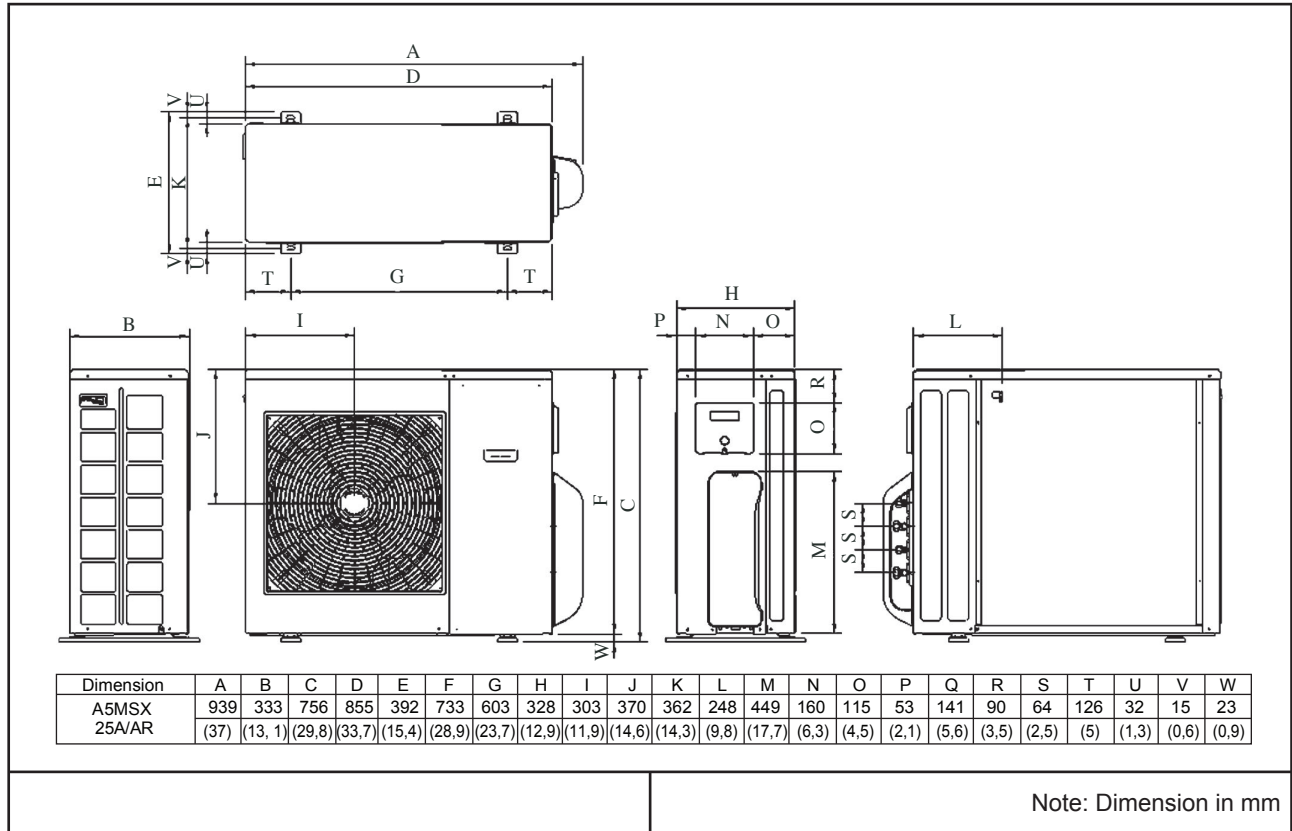
INDOOR OPERATING UNIT (A5WMX-G)	NOMINAL COOLING CAPACITY										INPUT		RUNNING	
	INDIVIDUAL INDOOR				TOTAL						POWER		CURRENT	
	A	B	C	D	BTU/h		kcal/h		KW		(W)		(A)	
	RATED	RATED	RATED	RATED	RATED	(MAX)	RATED	(MAX)	RATED	(MAX)	RATED	(MAX)	RATED	(MAX)
10	9500	-	-	-	9500	(10800)	2394	(2722)	2.78	(3.17)	860	(1007)	3.82	(4.47)
15	12000	-	-	-	12000	(14400)	3024	(3629)	3.52	(4.22)	1159	(1743)	5.14	(7.73)
20	18000	-	-	-	18000	(18500)	4536	(4662)	5.28	(5.42)	2003	(2554)	8.89	(11.33)
10 + 10	9000	9000	-	-	18000	(20000)	4536	(5040)	5.28	(5.86)	1657	(1941)	7.35	(8.61)
10 + 15	9000	12000	-	-	21000	(23000)	5292	(5796)	6.15	(6.74)	2057	(2233)	9.13	(9.90)
10 + 20	8300	12500	-	-	20800	(24000)	5242	(6048)	6.10	(7.03)	2167	(2330)	9.61	(10.34)
15 + 15	10500	10500	-	-	21000	(24000)	5292	(6048)	6.15	(7.03)	2167	(2330)	9.61	(10.34)
15 + 20	9300	11700	-	-	21000	(24000)	5292	(6048)	6.15	(7.03)	2167	(2330)	9.61	(10.34)
10 + 10 + 10	7830	7830	7830	-	23490	(29000)	5919	(7308)	6.88	(8.50)	2128	(2815)	9.44	(12.49)
10 + 10 + 15	7500	7500	8500	-	23500	(29000)	5922	(7308)	6.89	(8.50)	2128	(2815)	9.44	(12.49)
10 + 10 + 20	7150	7150	10200	-	24500	(29000)	6174	(7308)	7.18	(8.50)	2218	(2815)	9.84	(12.49)
10 + 15 + 15	7500	8500	8500	-	24500	(29000)	6174	(7308)	7.18	(8.50)	2218	(2815)	9.84	(12.49)
10 + 15 + 20	6600	8500	9400	-	24500	(29000)	6174	(7308)	7.18	(8.50)	2218	(2815)	9.84	(12.49)
15 + 15 + 15	8166	8166	8166	-	24498	(29000)	6173	(7308)	7.18	(8.50)	2218	(2815)	9.84	(12.49)
10 + 10 + 10 + 10	6500	6500	6500	6500	26000	(29000)	6552	(7308)	7.62	(8.50)	2354	(2815)	10.44	(12.49)
10 + 10 + 10 + 15	6000	6000	6000	8000	26000	(29000)	6552	(7308)	7.62	(8.50)	2354	(2815)	10.44	(12.49)
10 + 10 + 10 + 20	5100	5100	5100	10700	26000	(29000)	6552	(7308)	7.62	(8.50)	2354	(2815)	10.44	(12.49)
10 + 10 + 15 + 15	5300	5300	7700	7700	26000	(29000)	6552	(7308)	7.62	(8.50)	2354	(2815)	10.44	(12.49)
10 + 10 + 15 + 20	5000	5000	6700	9300	26000	(29000)	6552	(7308)	7.62	(8.50)	2354	(2815)	10.44	(12.49)
10 + 15 + 15 + 15	5000	7000	7000	7000	26000	(29000)	6552	(7308)	7.62	(8.50)	2354	(2815)	10.44	(12.49)
15 + 15 + 15 + 15	6500	6500	6500	6500	26000	(29000)	6552	(7308)	7.62	(8.50)	2354	(2815)	10.44	(12.49)

**Model: A5MSX30AR - A5WMX-GR**  
Heating Mode

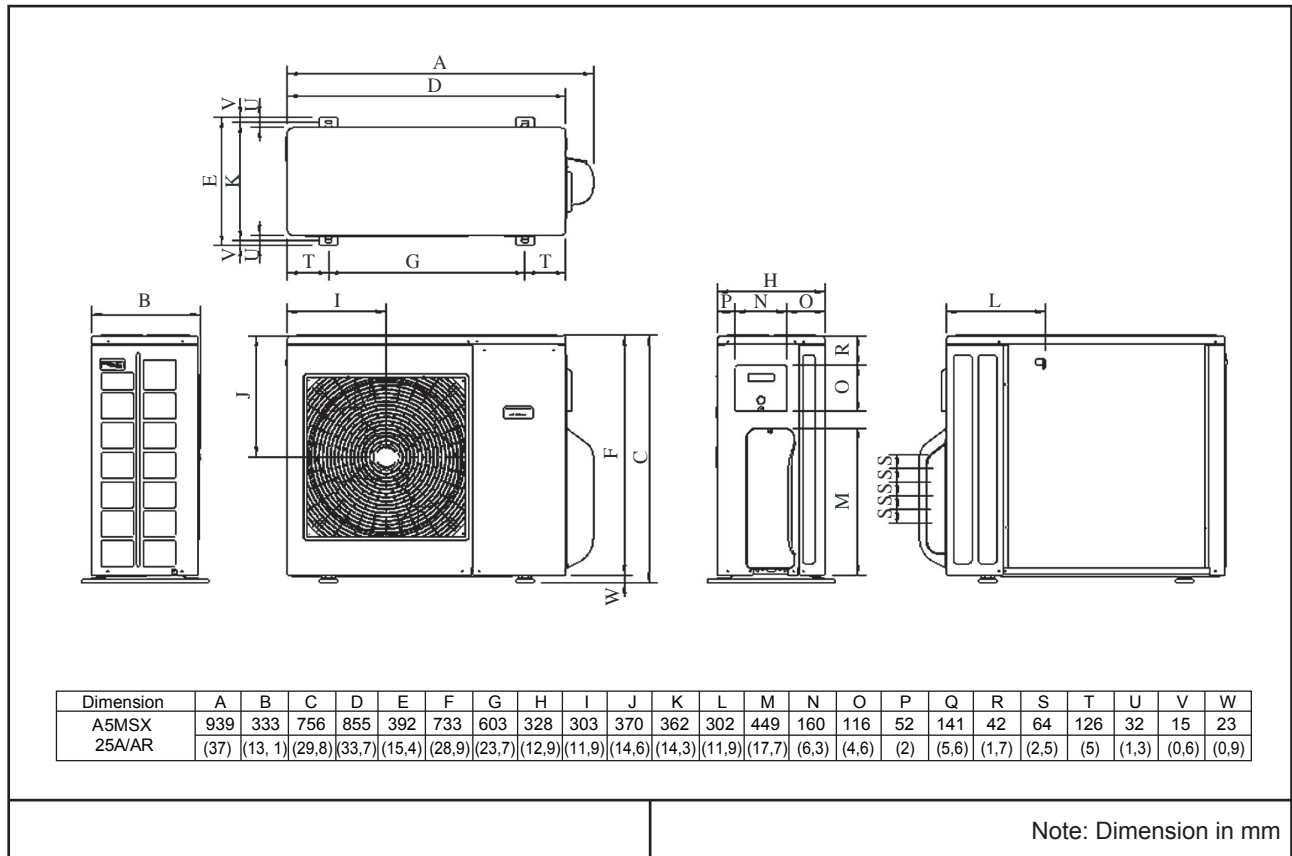
INDOOR OPERATING UNIT (A5WMX-GR)	NOMINAL COOLING CAPACITY										INPUT		RUNNING	
	INDIVIDUAL INDOOR				TOTAL						POWER		CURRENT	
	A	B	C	D	BTU/h		kcal/h		KW		(W)		(A)	
	RATED	RATED	RATED	RATED	RATED	(MAX)	RATED	(MAX)	RATED	(MAX)	RATED	(MAX)	RATED	(MAX)
10	11000	-	-	-	11000	(13200)	2772	(3326)	3.22	(3.87)	1355	(1975)	6.01	(8.76)
15	14000	-	-	-	14000	(16800)	3528	(4234)	4.10	(4.92)	1955	(2949)	8.67	(13.08)
20	20000	-	-	-	20000	(22800)	5040	(5746)	5.86	(6.68)	2734	(3697)	12.13	(16.40)
10 + 10	11000	11000	-	-	22000	(23000)	5544	(5796)	6.45	(6.74)	1983	(2238)	8.80	(9.93)
10 + 15	11000	13000	-	-	24000	(26000)	6048	(6552)	7.03	(7.62)	1983	(2238)	8.80	(9.93)
10 + 20	9500	15000	-	-	24500	(32000)	6174	(8064)	7.18	(9.38)	2030	(2755)	9.01	(12.22)
15 + 15	12250	12250	-	-	24500	(28000)	6174	(7056)	7.18	(8.21)	2030	(2755)	9.01	(12.22)
15 + 20	10500	14000	-	-	24500	(32000)	6174	(8064)	7.18	(9.38)	2030	(2755)	9.01	(12.22)
10 + 10 + 10	8500	8500	8500	-	25500	(32000)	6426	(8064)	7.47	(9.38)	2030	(2755)	9.01	(12.22)
10 + 10 + 15	8000	8000	9500	-	25500	(32000)	6426	(8064)	7.47	(9.38)	2030	(2755)	9.01	(12.22)
10 + 10 + 20	6500	6500	12500	-	25500	(32000)	6426	(8064)	7.47	(9.38)	2030	(2755)	9.01	(12.22)
10 + 15 + 15	7000	9250	9250	-	25500	(32000)	6426	(8064)	7.47	(9.38)	2030	(2755)	9.01	(12.22)
10 + 15 + 20	6000	8000	11500	-	25500	(32000)	6426	(8064)	7.47	(9.38)	2030	(2755)	9.01	(12.22)
15 + 15 + 15	8500	8500	8500	-	25500	(32000)	6426	(8064)	7.47	(9.38)	2030	(2755)	9.01	(12.22)
10 + 10 + 10 + 10	7000	7000	7000	7000	28000	(32000)	7056	(8064)	8.21	(9.38)	2030	(2755)	9.01	(12.22)
10 + 10 + 10 + 15	6500	6500	6500	8500	28000	(32000)	7056	(8064)	8.21	(9.38)	2030	(2755)	9.01	(12.22)
10 + 10 + 10 + 20	5600	5600	5600	11200	28000	(32000)	7056	(8064)	8.21	(9.38)	2030	(2755)	9.01	(12.22)
10 + 10 + 15 + 15	5500	5500	8500	8500	28000	(32000)	7056	(8064)	8.21	(9.38)	2030	(2755)	9.01	(12.22)
10 + 10 + 15 + 20	5400	5400	6200	11000	28000	(32000)	7056	(8064)	8.21	(9.38)	2030	(2755)	9.01	(12.22)
10 + 15 + 15 + 15	6025	7325	7325	7325	28000	(32000)	7056	(8064)	8.21	(9.38)	2030	(2755)	9.01	(12.22)
15 + 15 + 15 + 15	7000	7000	7000	7000	28000	(32000)	7056	(8064)	8.21	(9.38)	2030	(2755)	9.01	(12.22)

# Outline and Dimension

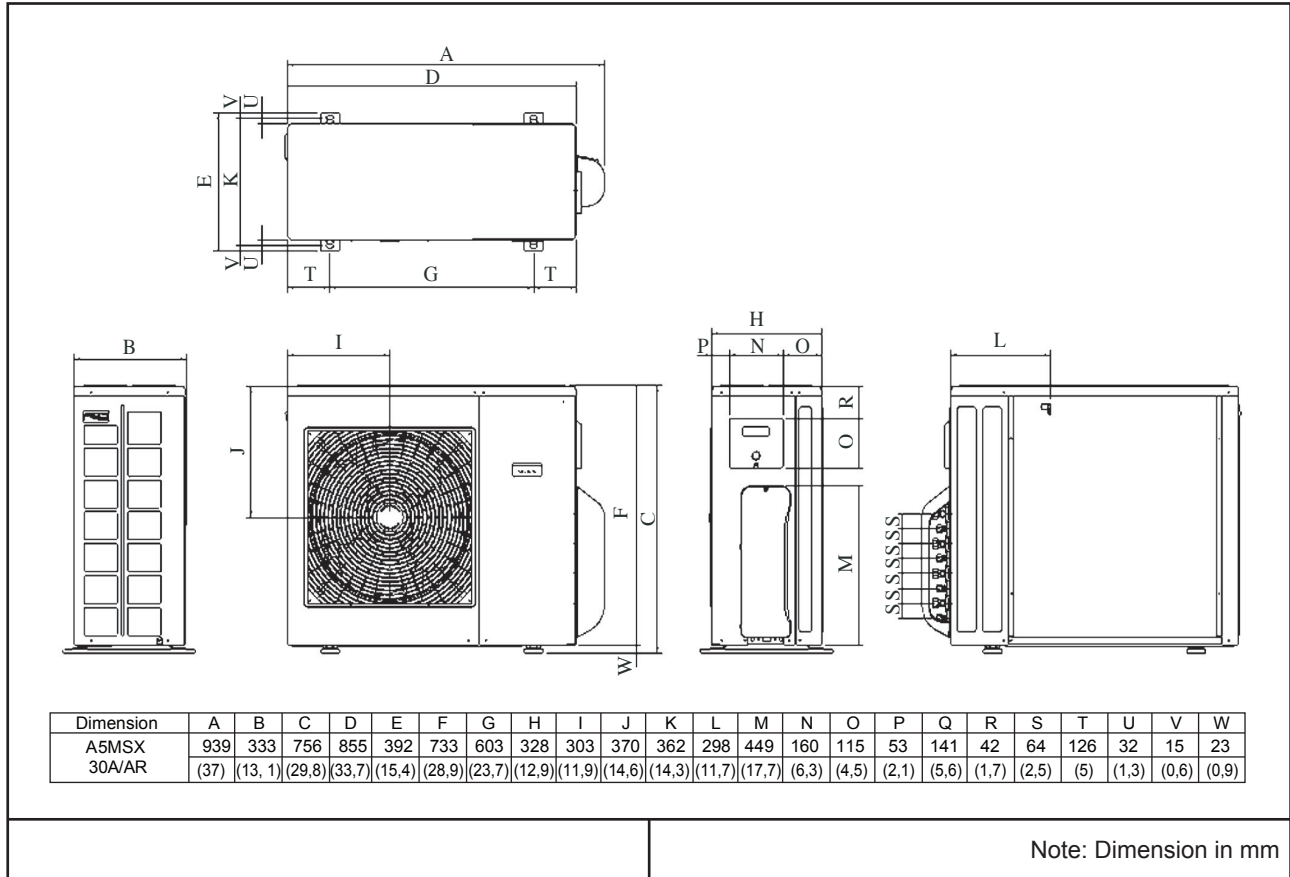
## Outdoor Unit Model: A5MSX20A/AR



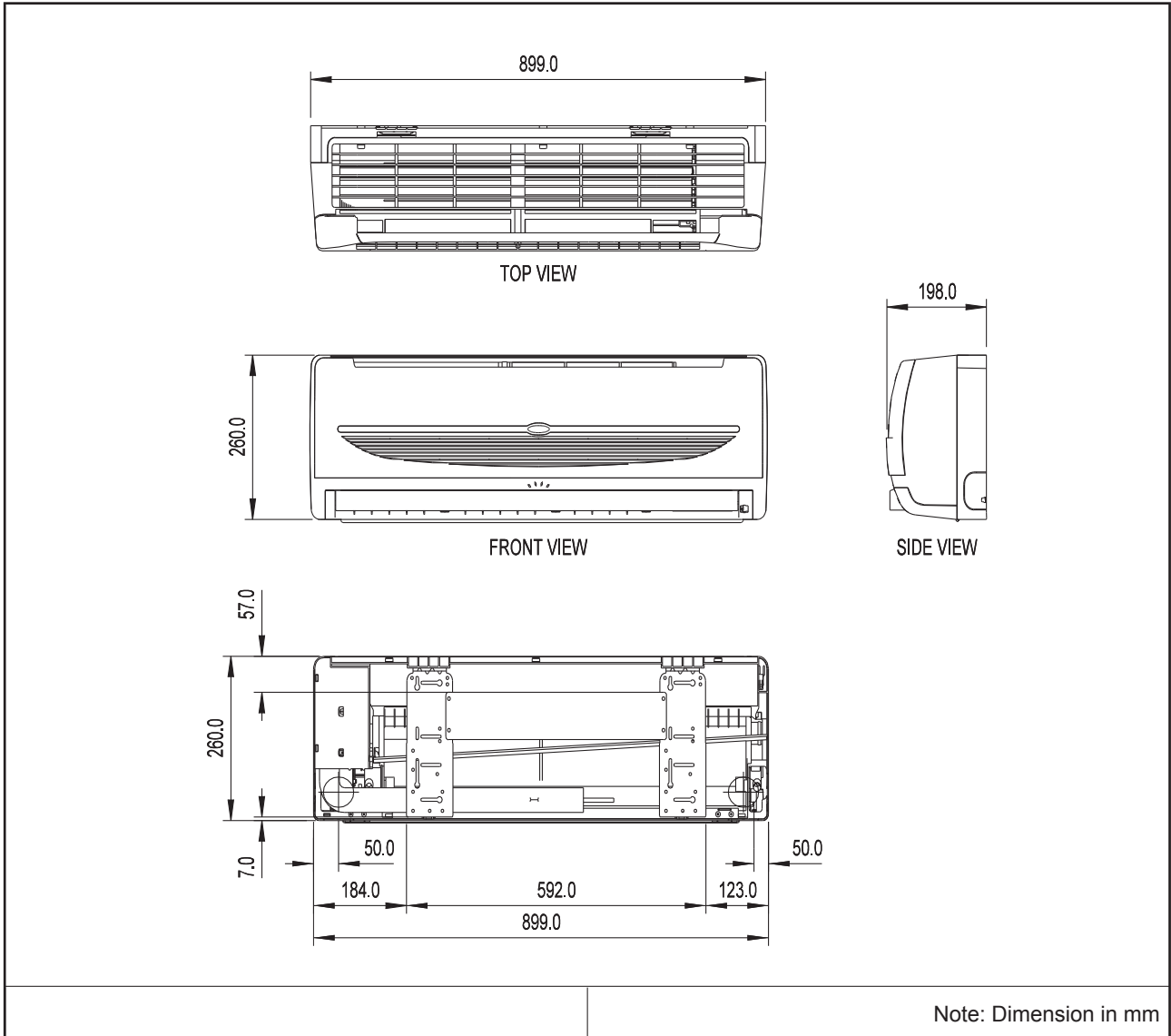
## Outdoor Unit Model: A5MSX25A/AR



**Outdoor Unit**  
**Model: A5MSX30A/AR**

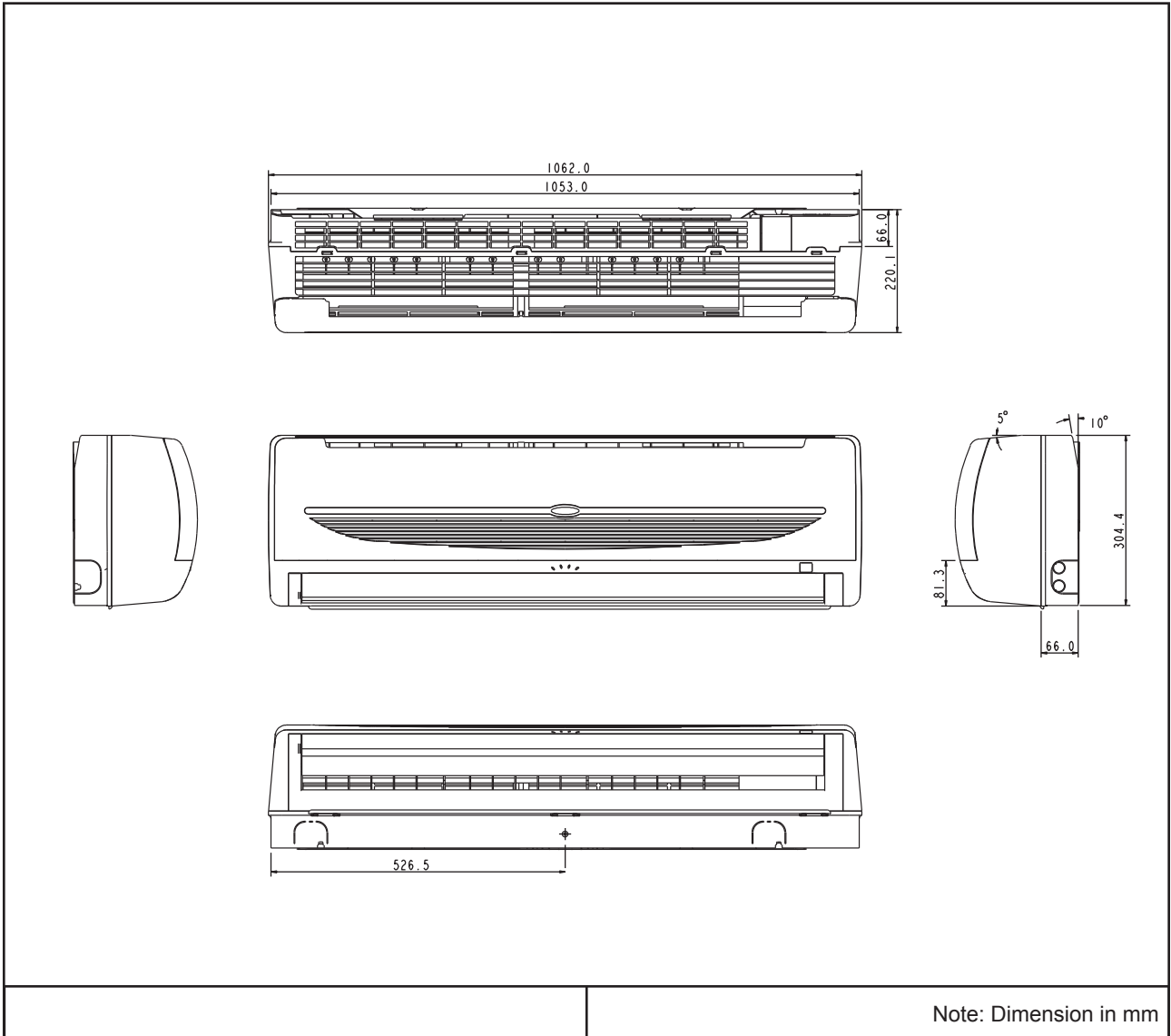


**Indoor Unit**  
**Model: A5WMX10/15G/GR**





Indoor Unit  
Model: A5WMX20G/GR



# Electrical Data

## Electrical Data - Cooling Only

MODEL	OUTDOOR UNIT		A5MSX20A	
	INDOOR UNIT		A5WMX10G	A5WMX15G
INDOOR MOTOR	INSULATION GRADE		CLASS E	CLASS E
	POWER SOURCE	V/Ph/Hz	220 - 240 / 1 / 50	220 - 240 / 1 / 50
	RATED INPUT POWER	W	38	40
	RATED RUNNING CURRENT	A	0.19	0.20
	MOTOR OUTPUT	W	17	17
	POLES		4	4
OUTDOOR MOTOR	INSULATION GRADE		CLASS B	CLASS B
	POWER SOURCE	V/Ph/Hz	220 - 240 / 1 / 50	220 - 240 / 1 / 50
	RATED INPUT POWER	W	130	130
	RATED RUNNING CURRENT	A	0.58	0.58
	MOTOR OUTPUT	W	75	75
COMPRESSOR	INSULATION GRADE		CLASS E	CLASS E
	POWER SOURCE	V/Ph/Hz	0 - 300 / 3 / 0-100	0 - 300 / 3 / 0-100
	CAPACITOR	µF	-	-
	RATED INPUT POWER	W	1350	1350
	RATED RUNNING CURRENT	A	6.05	6.05
	LOCKED ROTOR AMP.	A	30	30

- 1) ALL SPECIFICATIONS ARE SUBJECTED TO CHANGE BY THE MANUFACTURER WITHOUT PRIOR NOTICE.  
 2) ALL UNITS ARE BEING TESTED AND COMPLY TO ISO 5151.

## Electrical Data - Heat Pump

MODEL	OUTDOOR UNIT		A5MSX20AR	
	INDOOR UNIT		A5WMX10GR	A5WMX15GR
INDOOR MOTOR	INSULATION GRADE		CLASS E	CLASS E
	POWER SOURCE	V/Ph/Hz	220 - 240 / 1 / 50	220 - 240 / 1 / 50
	RATED INPUT POWER	W	38	40
	RATED RUNNING CURRENT	A	0.19	0.20
	MOTOR OUTPUT	W	17	17
	POLES		4	4
OUTDOOR MOTOR	INSULATION GRADE		CLASS B	CLASS B
	POWER SOURCE	V/Ph/Hz	220 - 240 / 1 / 50	220 - 240 / 1 / 50
	RATED INPUT POWER	W	130	130
	RATED RUNNING CURRENT	A	0.58	0.58
	MOTOR OUTPUT	W	75	75
COMPRESSOR	INSULATION GRADE		CLASS E	CLASS E
	POWER SOURCE	V/Ph/Hz	0 - 300 / 3 / 0-100	0 - 300 / 3 / 0-100
	CAPACITOR	µF	-	-
	RATED INPUT POWER (COOLING)	W	1350	1350
	RATED INPUT POWER (HEATING)	W	1440	1440
	RATED RUNNING CURRENT (COOLING)	A	6.05	6.05
	RATED RUNNING CURRENT (HEATING)	A	6.45	6.45
LOCKED ROTOR AMP.	A	30	30	

- 1) ALL SPECIFICATIONS ARE SUBJECTED TO CHANGE BY THE MANUFACTURER WITHOUT PRIOR NOTICE.  
 2) ALL UNITS ARE BEING TESTED AND COMPLY TO ISO 5151.

## Electrical Data - Cooling Only

MODEL	OUTDOOR UNIT		A5MSX25A	
	INDOOR UNIT		A5WMX10G	A5WMX15G
INDOOR MOTOR	INSULATION GRADE		CLASS E	CLASS E
	POWER SOURCE	V/Ph/Hz	220 - 240 / 1 / 50	220 - 240 / 1 / 50
	RATED INPUT POWER	W	38	40
	RATED RUNNING CURRENT	A	0.19	0.20
	MOTOR OUTPUT	W	17	17
	POLES		4	4
OUTDOOR MOTOR	INSULATION GRADE		CLASS B	CLASS B
	POWER SOURCE	V/Ph/Hz	220 - 240 / 1 / 50	220 - 240 / 1 / 50
	RATED INPUT POWER	W	140	140
	RATED RUNNING CURRENT	A	0.58	0.58
	MOTOR OUTPUT	W	80	80
COMPRESSOR	INSULATION GRADE		CLASS E	CLASS E
	POWER SOURCE	V/Ph/Hz	0 - 300 / 3 / 0-100	0 - 300 / 3 / 0-100
	CAPACITOR	μF	-	-
	RATED INPUT POWER	W	1690	1690
	RATED RUNNING CURRENT	A	7.50	7.50
	LOCKED ROTOR AMP.	A	30	30

1) ALL SPECIFICATIONS ARE SUBJECTED TO CHANGE BY THE MANUFACTURER WITHOUT PRIOR NOTICE.

2) ALL UNITS ARE BEING TESTED AND COMPLY TO ISO 5151.

## Electrical Data - Heat Pump

MODEL	OUTDOOR UNIT		A5MSX25AR	
	INDOOR UNIT		A5WMX10GR	A5WMX15GR
INDOOR MOTOR	INSULATION GRADE		CLASS E	CLASS E
	POWER SOURCE	V/Ph/Hz	220 - 240 / 1 / 50	220 - 240 / 1 / 50
	RATED INPUT POWER	W	38	40
	RATED RUNNING CURRENT	A	0.19	0.20
	MOTOR OUTPUT	W	17	17
	POLES		4	4
OUTDOOR MOTOR	INSULATION GRADE		CLASS B	CLASS B
	POWER SOURCE	V/Ph/Hz	220 - 240 / 1 / 50	220 - 240 / 1 / 50
	RATED INPUT POWER	W	130	130
	RATED RUNNING CURRENT	A	0.58	0.58
	MOTOR OUTPUT	W	75	75
COMPRESSOR	INSULATION GRADE		CLASS E	CLASS E
	POWER SOURCE	V/Ph/Hz	0 - 300 / 3 / 0-100	0 - 300 / 3 / 0-100
	CAPACITOR	μF	-	-
	RATED INPUT POWER (COOLING)	W	1690	1690
	RATED INPUT POWER (HEATING)	W	1700	1700
	RATED RUNNING CURRENT (COOLING)	A	7.5	7.5
	RATED RUNNING CURRENT (HEATING)	A	7.61	7.61
LOCKED ROTOR AMP.	A	30	30	

1) ALL SPECIFICATIONS ARE SUBJECTED TO CHANGE BY THE MANUFACTURER WITHOUT PRIOR NOTICE.

2) ALL UNITS ARE BEING TESTED AND COMPLY TO ISO 5151.

## Electrical Data - Cooling Only

MODEL	OUTDOOR UNIT		A5MSX25A
	INDOOR UNIT		A5WMX20G
INDOOR MOTOR	INSULATION GRADE		CLASS E
	POWER SOURCE	V/Ph/Hz	220 - 240 / 1 / 50
	RATED INPUT POWER	W	60
	RATED RUNNING CURRENT	A	0.31
	MOTOR OUTPUT	W	40
	POLES		4
OUTDOOR MOTOR	INSULATION GRADE		CLASS B
	POWER SOURCE	V/Ph/Hz	220 - 240 / 1 / 50
	RATED INPUT POWER	W	140
	RATED RUNNING CURRENT	A	0.58
	MOTOR OUTPUT	W	80
COMPRESSOR	INSULATION GRADE		CLASS E
	POWER SOURCE	V/Ph/Hz	0 - 300 / 3 / 0-100
	CAPACITOR	µF	-
	RATED INPUT POWER	W	1690
	RATED RUNNING CURRENT	A	7.61
	LOCKED ROTOR AMP.	A	30

1) ALL SPECIFICATIONS ARE SUBJECTED TO CHANGE BY THE MANUFACTURER WITHOUT PRIOR NOTICE.

2) ALL UNITS ARE BEING TESTED AND COMPLY TO ISO 5151.

## Electrical Data - Heat Pump

MODEL	OUTDOOR UNIT		A5MSX25AR
	INDOOR UNIT		A5WMX25AR
INDOOR MOTOR	INSULATION GRADE		CLASS E
	POWER SOURCE	V/Ph/Hz	220 - 240 / 1 / 50
	RATED INPUT POWER	W	38
	RATED RUNNING CURRENT	A	0.19
	MOTOR OUTPUT	W	17
	POLES		4
OUTDOOR MOTOR	INSULATION GRADE		CLASS B
	POWER SOURCE	V/Ph/Hz	220 - 240 / 1 / 50
	RATED INPUT POWER	W	130
	RATED RUNNING CURRENT	A	0.58
	MOTOR OUTPUT	W	75
COMPRESSOR	INSULATION GRADE		CLASS E
	POWER SOURCE	V/Ph/Hz	0 - 300 / 3 / 0-100
	CAPACITOR	µF	-
	RATED INPUT POWER (COOLING)	W	1690
	RATED INPUT POWER (HEATING)	W	1700
	RATED RUNNING CURRENT (COOLING)	A	7.5
	RATED RUNNING CURRENT (HEATING)	A	7.61
LOCKED ROTOR AMP.	A	30	

1) ALL SPECIFICATIONS ARE SUBJECTED TO CHANGE BY THE MANUFACTURER WITHOUT PRIOR NOTICE.

2) ALL UNITS ARE BEING TESTED AND COMPLY TO ISO 5151.

## Electrical Data - Cooling Only

MODEL	OUTDOOR UNIT		A5MSX30A		
	INDOOR UNIT		A5WMX10G	A5WMX15G	A5WMX20G
INDOOR MOTOR	INSULATION GRADE		CLASS E	CLASS E	CLASS E
	POWER SOURCE	V/Ph/Hz	220 - 240 / 1 / 50	220 - 240 / 1 / 50	220 - 240 / 1 / 50
	RATED INPUT POWER	W	38	40	60
	RATED RUNNING CURRENT	A	0.19	0.20	0.31
	MOTOR OUTPUT	W	17	17	40
	POLES		4	4	4
OUTDOOR MOTOR	INSULATION GRADE		CLASS B	CLASS B	CLASS B
	POWER SOURCE	V/Ph/Hz	220 - 240 / 1 / 50	220 - 240 / 1 / 50	220 - 240 / 1 / 50
	RATED INPUT POWER	W	170	170	170
	RATED RUNNING CURRENT	A	0.75	0.75	0.75
	MOTOR OUTPUT	W	80	80	80
	INSULATION GRADE		CLASS E	CLASS E	CLASS E
COMPRESSOR	POWER SOURCE	V/Ph/Hz	0 - 300 / 3 / 0-100	0 - 300 / 3 / 0-100	0 - 300 / 3 / 0-100
	CAPACITOR	µF	-	-	-
	RATED INPUT POWER	W	1690	1690	1690
	RATED RUNNING CURRENT	A	7.50	7.50	7.50
	LOCKED ROTOR AMP.	A	30	30	30

1) ALL SPECIFICATIONS ARE SUBJECTED TO CHANGE BY THE MANUFACTURER WITHOUT PRIOR NOTICE.

2) ALL UNITS ARE BEING TESTED AND COMPLY TO ISO 5151.

## Electrical Data - Heat Pump

MODEL	OUTDOOR UNIT		A5MSX30AR		
	INDOOR UNIT		A5WMX10GR	A5WMX15GR	A5WMX20GR
INDOOR MOTOR	INSULATION GRADE		CLASS E	CLASS E	CLASS E
	POWER SOURCE	V/Ph/Hz	220 - 240 / 1 / 50	220 - 240 / 1 / 50	220 - 240 / 1 / 50
	RATED INPUT POWER	W	38	40	60
	RATED RUNNING CURRENT	A	0.19	0.20	0.31
	MOTOR OUTPUT	W	17	17	40
	POLES		4	4	4
OUTDOOR MOTOR	INSULATION GRADE		CLASS B	CLASS B	CLASS B
	POWER SOURCE	V/Ph/Hz	220 - 240 / 1 / 50	220 - 240 / 1 / 50	220 - 240 / 1 / 50
	RATED INPUT POWER	W	170	170	170
	RATED RUNNING CURRENT	A	0.75	0.75	0.75
	MOTOR OUTPUT	W	80	80	80
	INSULATION GRADE		CLASS E	CLASS E	CLASS E
COMPRESSOR	POWER SOURCE	V/Ph/Hz	0 - 300 / 3 / 0-100	0 - 300 / 3 / 0-100	0 - 300 / 3 / 0-100
	CAPACITOR	µF	-	-	-
	RATED INPUT POWER (COOLING)	W	1690	1690	1690
	RATED INPUT POWER (HEATING)	W	1700	1700	1700
	RATED RUNNING CURRENT (COOLING)	A	7.5	7.5	7.5
	RATED RUNNING CURRENT (HEATING)	A	7.61	7.61	7.61
	LOCKED ROTOR AMP.	A	30	30	30

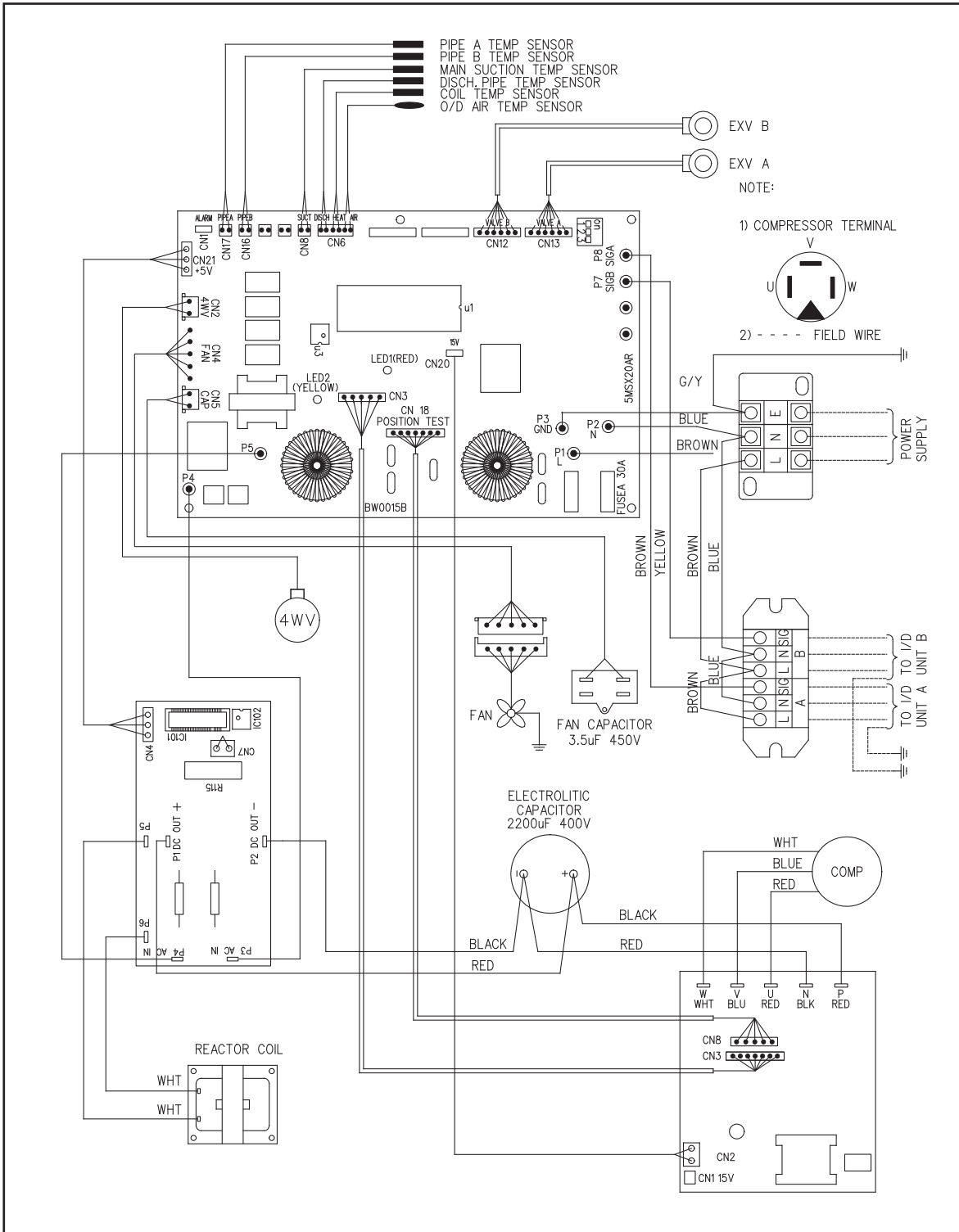
1) ALL SPECIFICATIONS ARE SUBJECTED TO CHANGE BY THE MANUFACTURER WITHOUT PRIOR NOTICE.

2) ALL UNITS ARE BEING TESTED AND COMPLY TO ISO 5151.

# Wiring Diagram

**Outdoor Unit**  
**Model: A5MSX20A/AR**

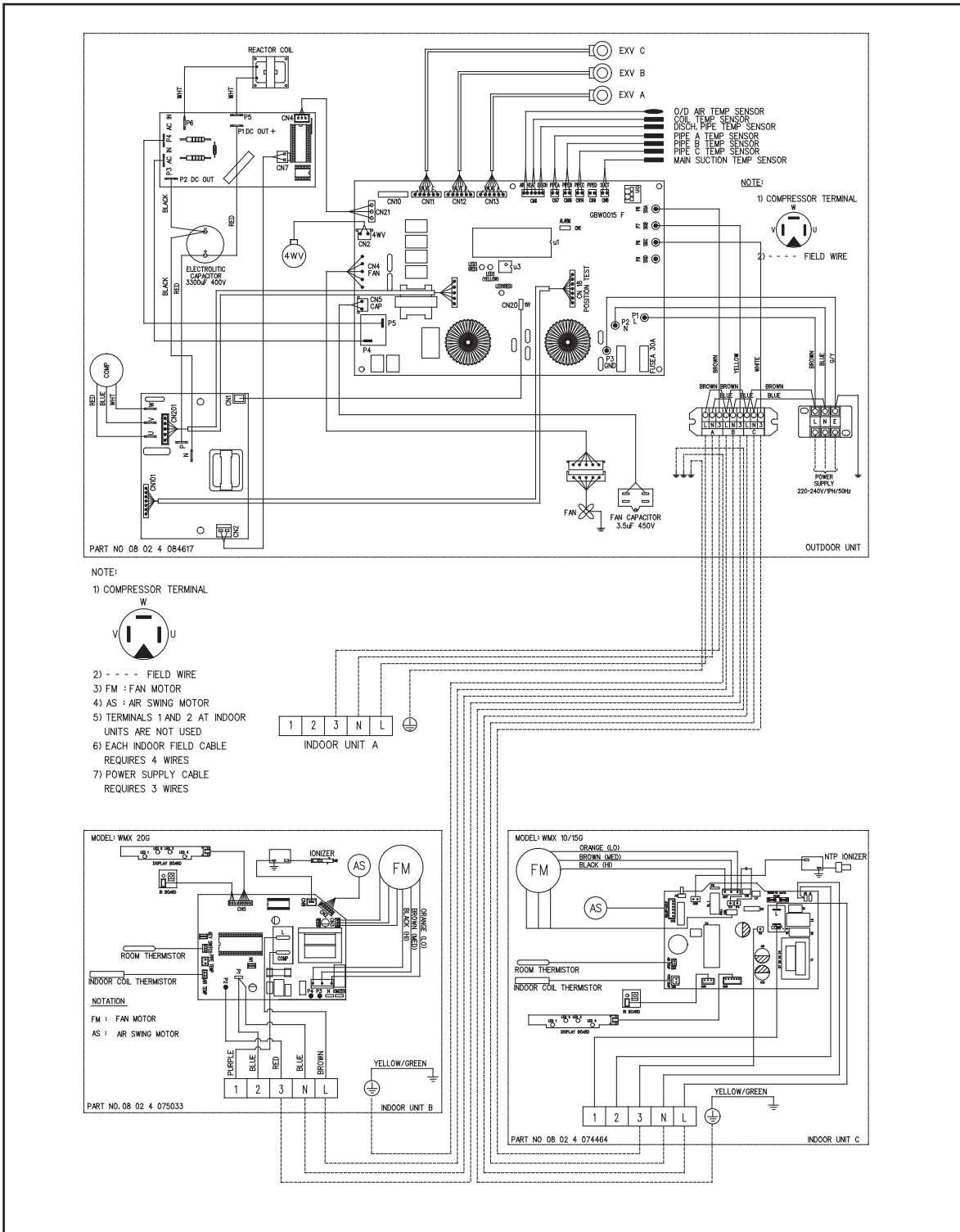
**Indoor Unit**  
**Model: A5WMX10/15G/GR**



08 02 4 080366A

**Outdoor Unit**  
**Model: A5MSX25A/AR**

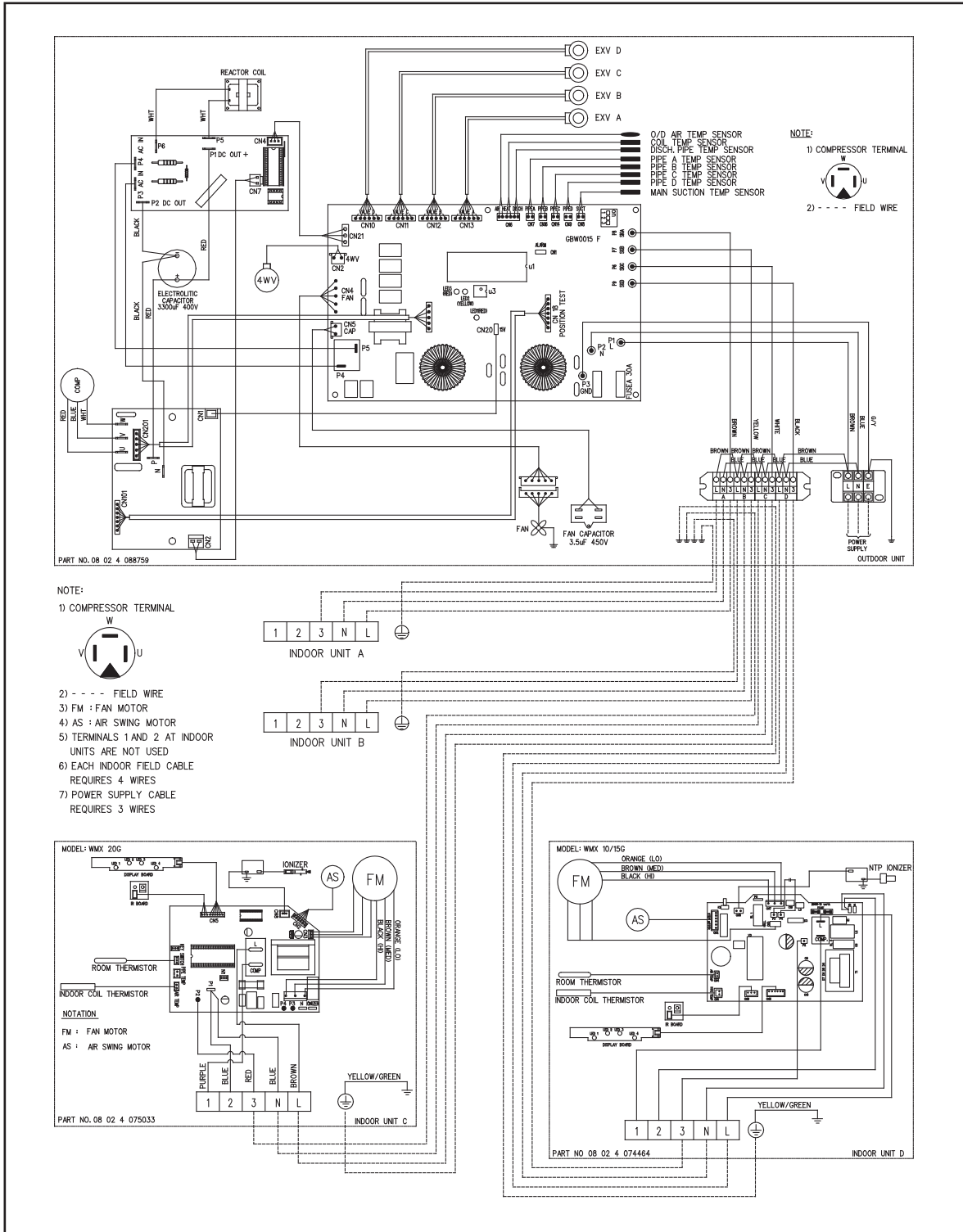
**Indoor Unit**  
**Model: A5WMX10/15/20G/GR**



70 03 4 088704

**Outdoor Unit**  
**Model: A5MSX30A/AR**

**Indoor Unit**  
**Model: A5WMX10/15/20G/GR**



70 03 4 089435



# Service and Maintenance

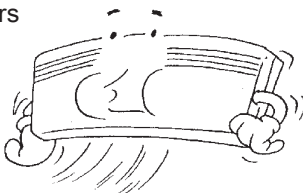
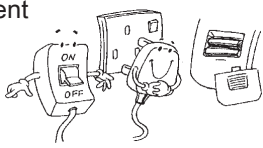
Service Parts	Maintenance Procedures	Period
Indoor air filter	<ol style="list-style-type: none"> <li>1. Remove any dust adhering to the filter by using a vacuum cleaner or wash in lukewarm water (below 40°C) with a neutral cleaning detergent.</li> <li>2. Rinse the filter well and dry before placing it back onto the unit.</li> <li>3. Do not use gasoline, volatile substances or chemicals to clean the filter.</li> </ol>	At least once every 2 weeks. More frequently if necessary.
Indoor unit	<ol style="list-style-type: none"> <li>1. Clean any dirt or dust on the grille or panel by wiping it off with a soft cloth soaked in lukewarm water (below 40°C) and a neutral detergent solution.</li> <li>2. Do not use gasoline, volatile substances or chemicals to clean the indoor unit</li> </ol>	At least once every 2 weeks. More frequently if necessary.

- 1 Off the unit.
- 2 Unscrew the air discharge housing.
- 3 Flip open the air discharge housing.
- 4 Clean the blower.
- 5 Close the air discharge housing and tighten it with screw.

**⚠ Caution**

Do not operate any heating apparatus too close to the air conditioner unit. This may cause the plastic panel to melt or deform as a result of the excessive heat.

## When The Unit Is Not Used For An Extended Period Of Time

<p>Operate the unit for 2 hours with the following setting.</p> <p>Operating mode : cool Temperature : 30°C</p> 	<p>Remove the power plug. If you are using an independent electric circuit for your unit, cut off the circuit. Remove the batteries in the remote control.</p> 
---	--

## Electrostatic Filter

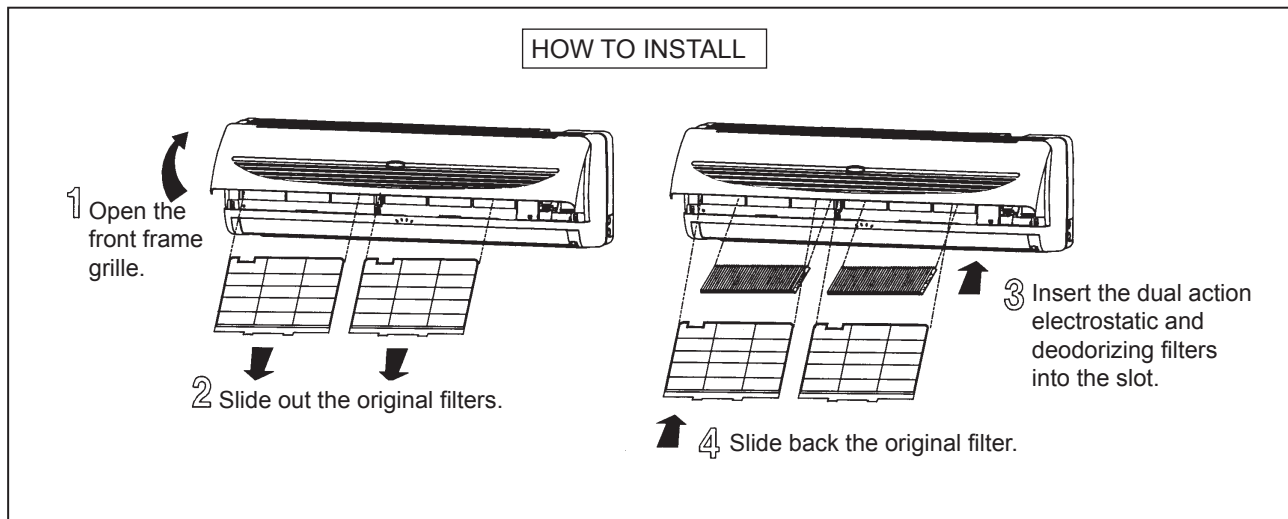
### Dual Action Electrostatic Air Purifying and Deodorizing Filter Media and Filter Frame

#### Action 1- Electrostatic air purifying filter

Removes microscopic dust, smoke and small invisible particules to keep the room air clean with pre-charged electrostatic polypropylene filter.

#### Action 2- Deodorizing filter

Remove unwanted smells and odors in the air and keep the room air fresh with activated carbon filter.



 **Caution**

1. The electrostatic air purifying and deodorizing filter should be replaced once every 6 months or when the filter changes color to brownish, whichever is sooner.
2. Used dusty filters should be disposed and shouldn't be reused, even if it has been cleaned and washed.
3. The filter is a consumable part which you can purchase from your air conditioner dealer.
4. Use the new filter immediately once it has been taken out from its sealed packing. Do not unpack the new filter too early before it is actually used as this may decrease its deodorizing effect.

# Troubleshooting

If there is any malfunction of the air conditioner unit detected, please switch off the main power supply immediately before proceeding with the following troubleshooting procedures as safety precautions. The following are some common fault conditions and simple troubleshooting tips. If encounter any faulty conditions which are not listed, please contact nearest dealer or service maintenance. DO NOT attempt to troubleshoot the unit by yourself.

No	Fault Conditions	Possible causes / corrective actions
1	The air conditioner unit will not start straight away after a power failure or restart unit.	<ul style="list-style-type: none"> <li>The air conditioner unit has a 3 minutes restart protection. Please wait for the unit to restart by leaving the main power on.</li> </ul>
2	The compressor does not operate 3 minutes after the air conditioner unit is started.	<ul style="list-style-type: none"> <li>Protection against frequent starting.</li> <li>Wait for 3 or 4 minutes for the compressor to start operating by it self.</li> </ul>
3	The airflow is too slow or room cannot be cooled sufficiently.	<ul style="list-style-type: none"> <li>The air filter is dirty.</li> <li>The doors and windows are opened.</li> <li>The air suction and discharge of both indoor and outdoor units are clogged or blocked.</li> <li>The regulated temperature or temperature setting is not low enough.</li> </ul>
4	Discharge airflow has bad odor.	<ul style="list-style-type: none"> <li>Odour may be cause by cigarettes, smoke particles, perfume and others, which might have adhered onto the coil.</li> <li>Contact your nearest dealer.</li> </ul>
5	Condensation on the front air grille of the indoor unit.	<ul style="list-style-type: none"> <li>This is caused by air humidity after an extended period of operation.</li> <li>The set temperature is too low. Increase the temperature setting and operate the unit at high fan speed.</li> </ul>
6	Water flowing out from the air conditioner.	<ul style="list-style-type: none"> <li>Switch off the unit and contact your nearest dealer. This might be due to tilted installation.</li> </ul>
7	Hissing airflow sound from the air conditioner unit during operation.	<ul style="list-style-type: none"> <li>Liquid refrigerant flowing into the evaporator coil.</li> </ul>
8	The indoor unit's LED indication keeps blinking.	<ul style="list-style-type: none"> <li>Check the fault indication listed under section INDICATOR LIGHTS.</li> <li>If LED display indicates defrost operation, ignore it. This shows that the outdoor unit is defrosting the ice at the outdoor unit.</li> <li>For other LED display, follow the COMPRESSOR STOPPED TROUBLESHOOTING INSTRUCTIONS at next section.</li> </ul>
9	The outdoor unit will not operate and the indoor unit's LED indication does not blink.	<ul style="list-style-type: none"> <li>Power failure or fuse needs to be replaced. Check power supply.</li> <li>The main power plug is disconnected or the circuit breaking is turned off.</li> <li>It is possible that the delay timer has been set incorrectly.</li> <li>If the problem persists after all these verifications, follow the COMPRESSOR STOPPED TROUBLESHOOTING INSTRUCTIONS at next section.</li> </ul>

### Normal Running Mode Condition

If the air conditioner unit has no faulty indications and the compressor is running at normal mode, the outdoor P.C. Board's LED indication will blink at a slower pace. The table below shows the significant meaning of different running mode and limitation for this air conditioner unit. One must not attempt to see the LED indication blinking unless instructed to do so.

Blinks Blinking	Indication
1	Normal running, with no limitation
2	Voltage limit
3	Cooling unit : Outdoor coil temperature limit Heating unit : Indoor coil temperature limit
4	Total current limit
5	Discharge temperature unit
6	Cooling unit : Indoor coil temperature limit
7	Indoor fan control
8	Outdoor frequency adjustment

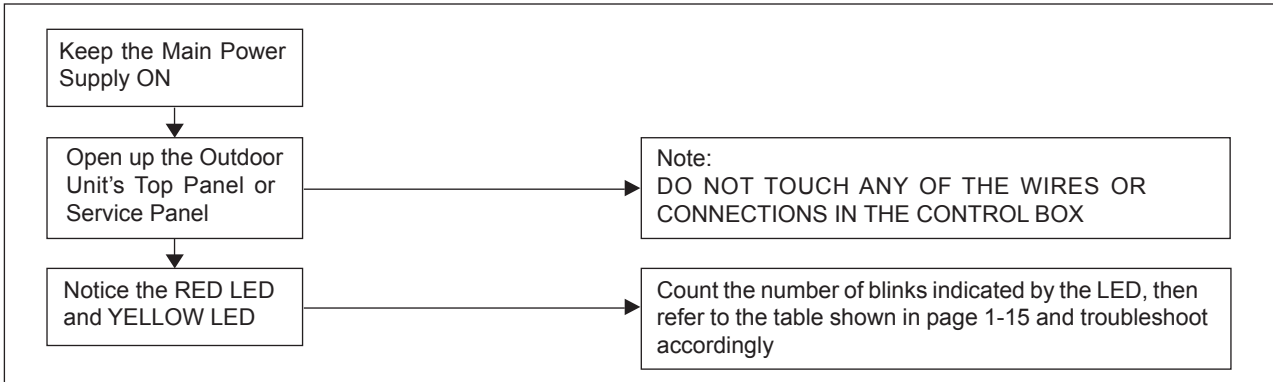
### Compressor Stopped Error Indication And Troubleshooting Guide

If the compressor stop unexpectedly, the outdoor P.C.Board's LED indication will blink accordingly to the error it detects. The table below shows the meaning according to the number of LED blinking and the corrective action that one should take.

Blink		Fault Indication	Corrective Action
RED	YELLOW		
LED	LED		
0	1	Outdoor ambient sensor error	Check outdoor ambient sensor wire and connection
0	2	Outdoor coil sensor error	Check outdoor coil sensor wire and connection
0	3	Outdoor discharge sensor error/ Compressor overheat indication	Check outdoor discharge sensor wire and connection/ Check pressure and compressor/Not enough refrigerant/ indoor overload
0	4	DC compressor feedback error	Check compressor wire and feedback wire
0	5	Communication error	Check communication wire and connection for both indoor and outdoor
0	6	Over current error	Check total current:check pressure and compressor
0	7	No load	Ignore
0	8	Over/ under voltage	Check power supply
0	9	DC compressor start failure	Check compressor wire and feedback wire;check compressor
1	0	Cooling overload	Check whether outdoor unit is blocked or not;check pressure
1	1	Defrost	Ignore
1	2	IPM Protection	Check power supply; check main board/filter board; check bridge diode; check IPM board; check compressor
1	3	EEPROM	Check EEPROM chip connection
1	4	EEPROM write error	Check EEPROM chip connection
1	5	DC fan motor no feed back	Check fan motor wire connection
1	6	AC peak current error	
1	7	Outdoor suction sensor error	Check outdoor suction sensor wire and connection
1	9	DC compressor speed control error	Check IPM board; check compressor
2	1	Outdoor suction A sensor error	Check suction sensor wire pipe A and connection
2	2	Outdoor suction B sensor error	Check suction sensor wire pipe B and connection
2	3	Outdoor suction C sensor error	Check suction sensor wire pipe C and connection
2	4	Outdoor suction D sensor error	Check suction sensor wire pipe D and connection
3	1	Indoor A communication error	Check communication wire and connection with indoor A
3	2	Indoor B communication error	Check communication wire and connection with indoor B
3	3	Indoor C communication error	Check communication wire and connection with indoor C
3	4	Indoor D communication error	Check communication wire and connection with indoor D

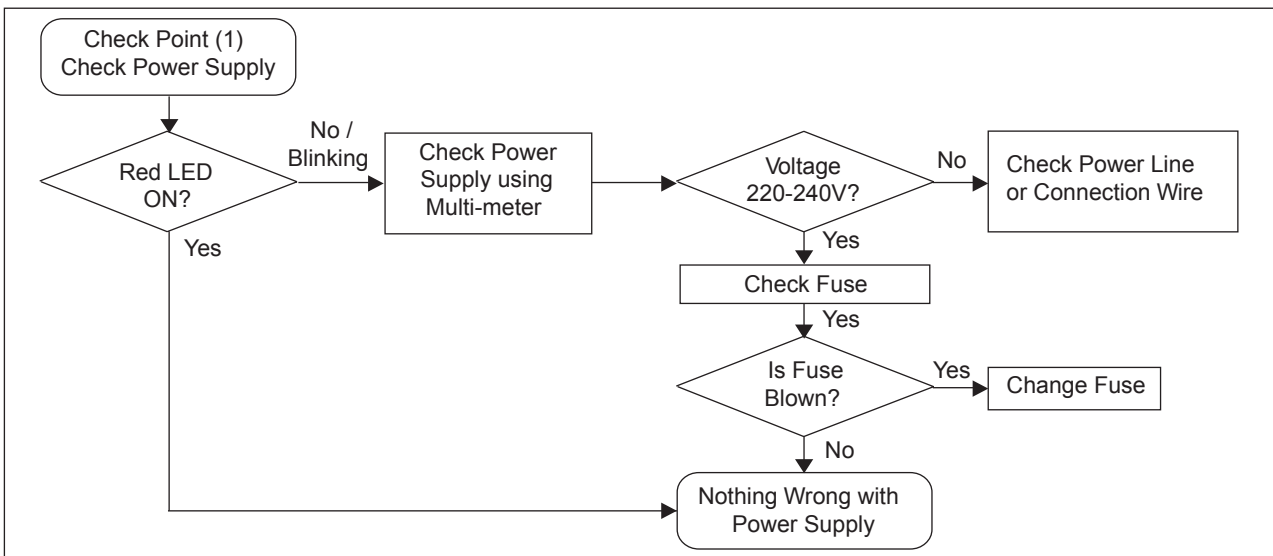
### Troubleshooting Progress

If the air conditioner is not operating normally, One should follow the troubleshooting steps as stated in the flow chart below



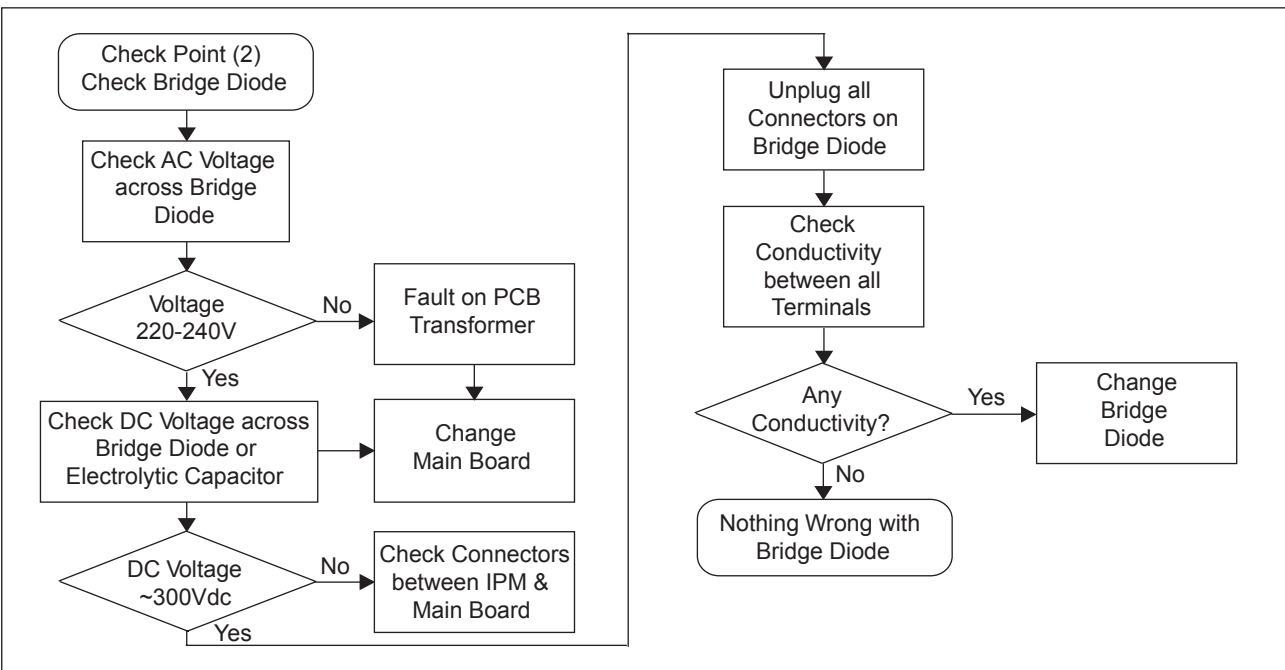
#### Check Point (1) – Power Supply

Step-by-step troubleshooting guide for power supply checking.



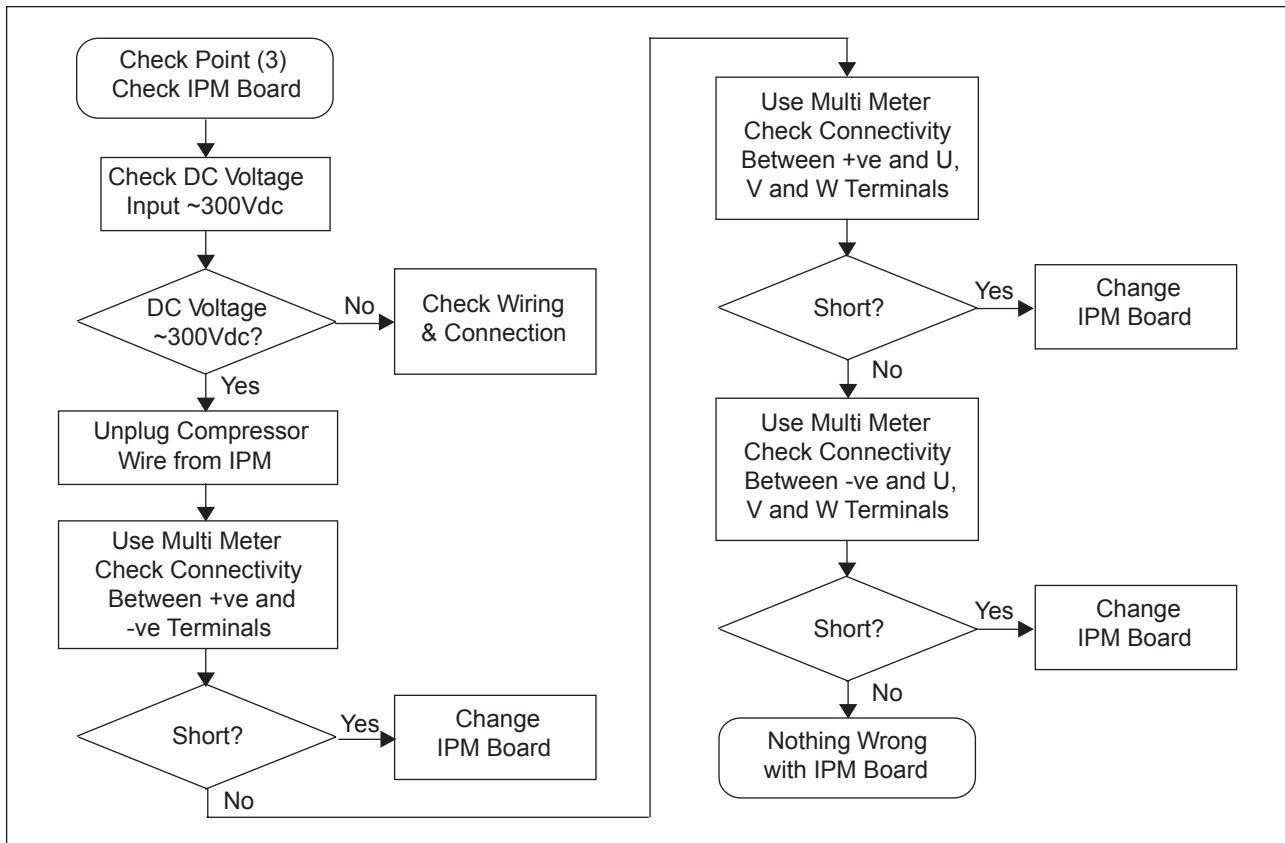
#### Check Point (2) – Bridge Diode

Step-by-step troubleshooting guide for identifying bridge diode error.



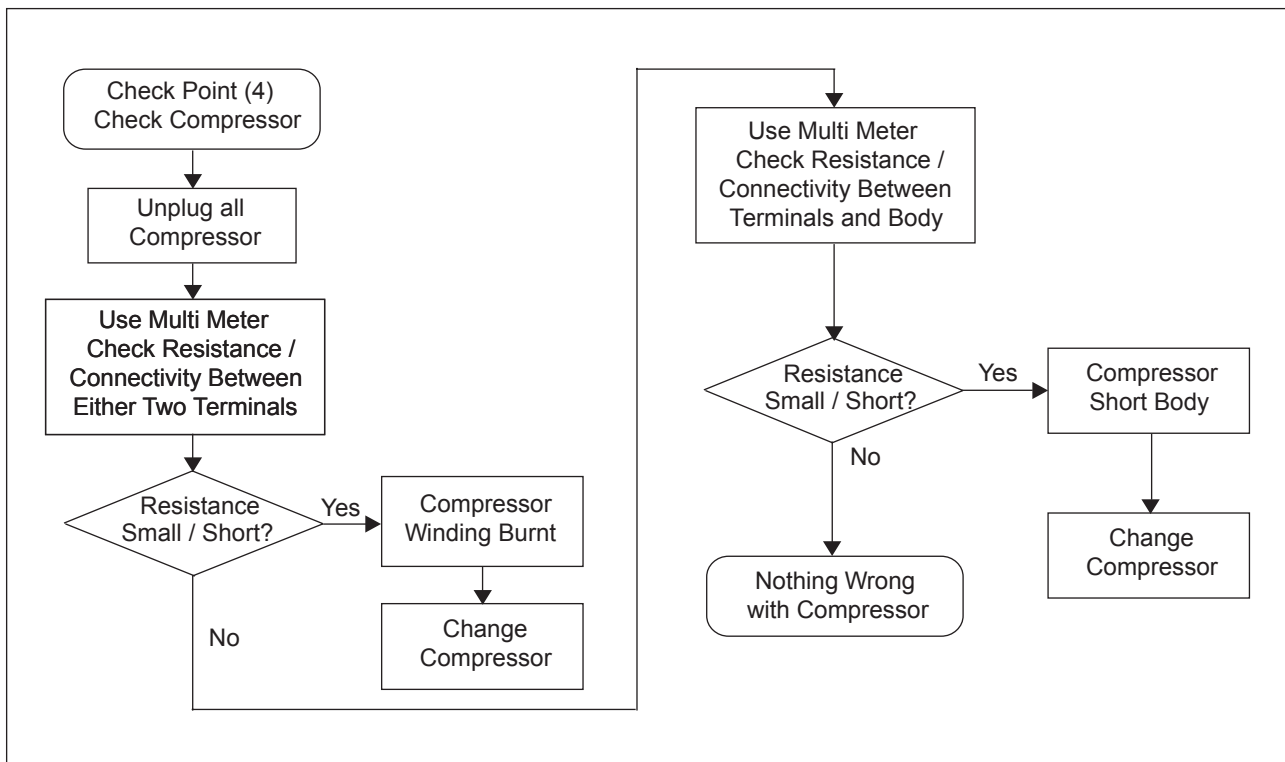
Check Point (3) – IPM Board

Step-by-step troubleshooting guide for identifying IPM Board error.



Check Point (4) – Compressor

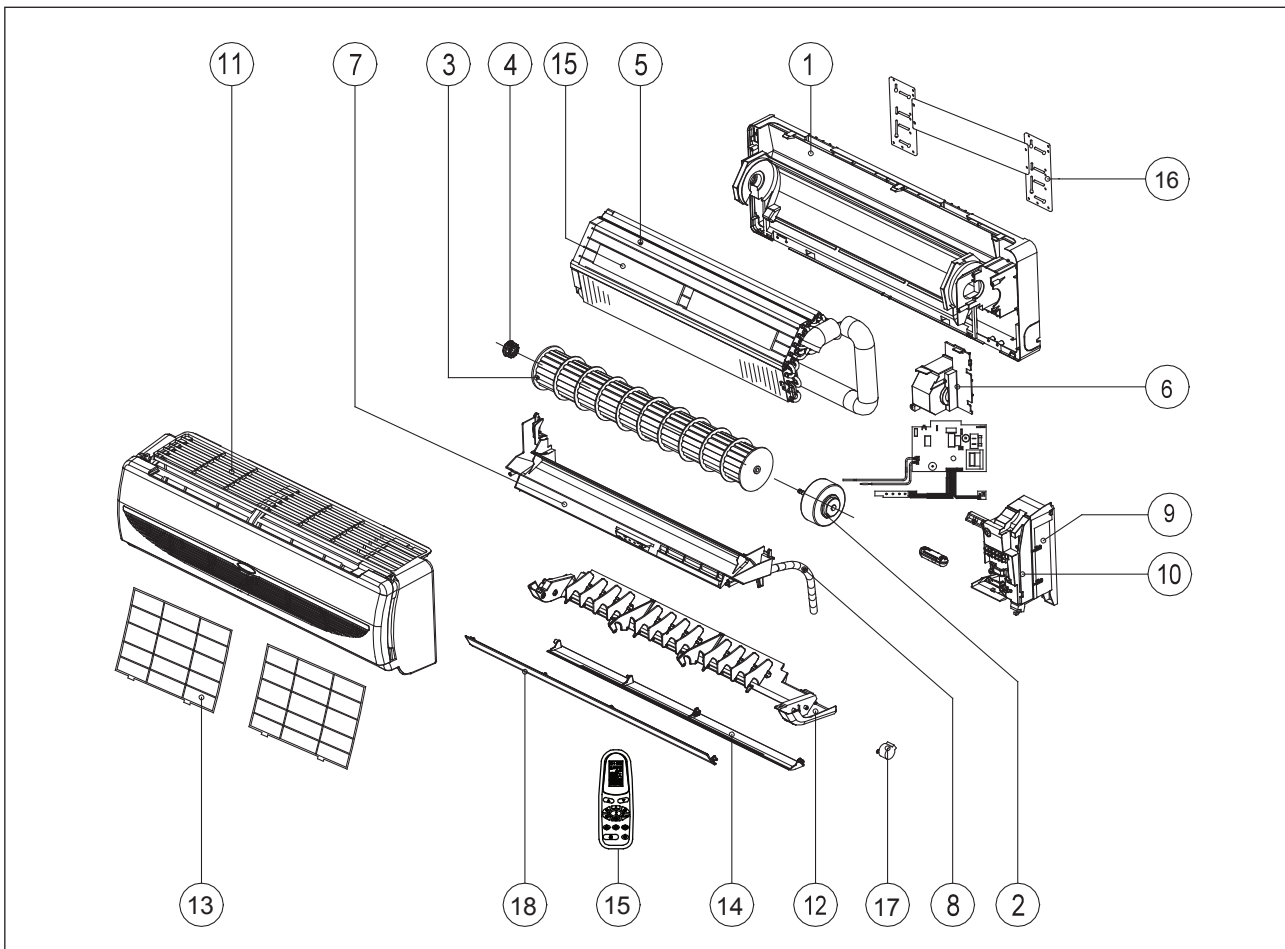
Step-by-step troubleshooting guide for identifying compressor failure.



# Exploded View and Part List

## INDOOR UNIT

MODEL : A5WMX10/15G/GR

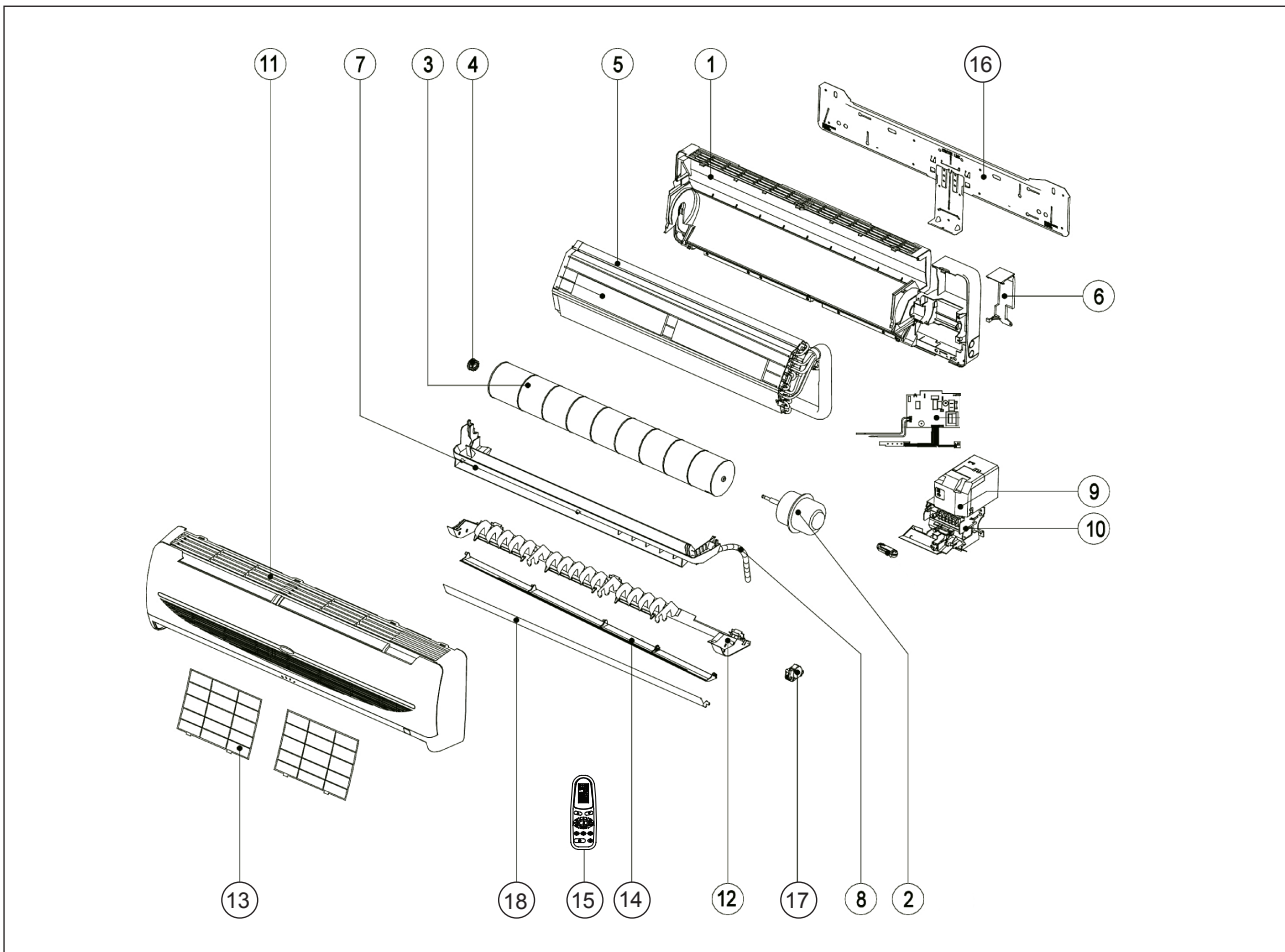


No	Description	Part Number
1	Assy. Chassis	R50124064151
2	Motor, Blower	R03039022520
3	Blower	R03029019461
4	Bush, Fan	R11014029514
5	Assy. Heat Exchanger	
	A5WMX - 10G/GR	R50024064225
	A5WMX - 15G/GR	R50024066054
6	Piping Clamp	R12014060544
7	Assy. Drain Pan	R50124064152
8	Drain Hose	R10024018204
9	Assy. Control Box Cover	R50124074815
10	Assy. Control Box	
	A5WMX - 10G	R50044100701
	A5WMX - 10GR	R50044100703
	A5WMX - 15G	R50044100702
	A5WMX - 15GR	R50044100704

No	Description	Part Number
11	Assy. Front Cover A	R50124085074
12	Assy. Air Discharge	R50124062326
13	Air Filter	R12014062321
14	Louver, Bottom	R12014061364
15	Handset, Wireless G18	
	A5WMX - 10G	R04084100951
	A5WMX - 10GR	R04084100952
	A5WMX - 15G	R04084100951
	A5WMX - 15GR	R04084100952
16	Assy. Mounting Plate	R50014062324
17	Motor, Air Swing	R03039021375
18	Louver, Top	R12014061363

Note: All exploded view and part list are subjected to change by the manufacturer without prior notice

**INDOOR UNIT**  
**MODEL : A5WMX20G/GR**



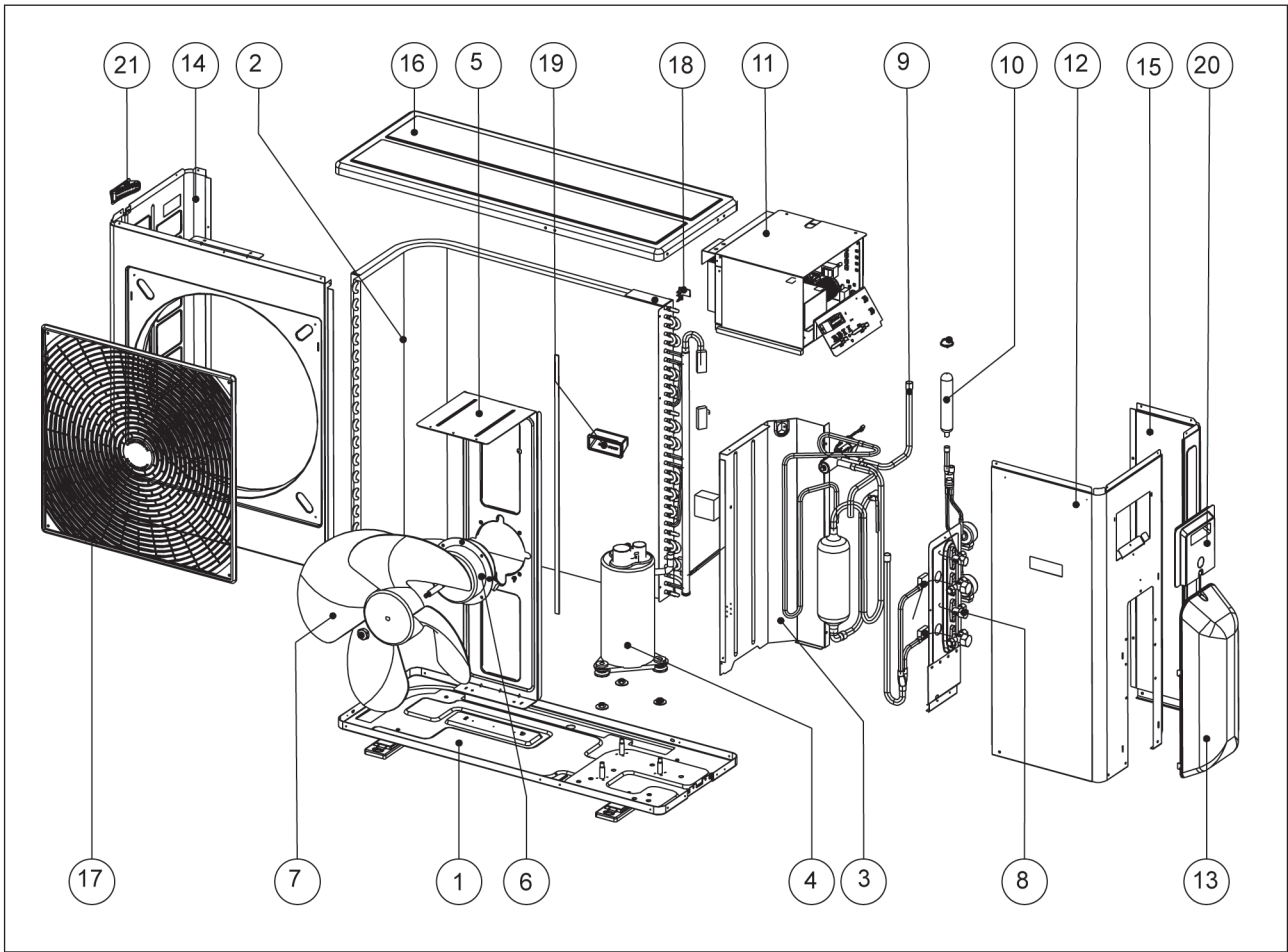
No	Description	Part Number
1	Assy. Chassis	R50124068170
2	Motor, Blower	R50034074747
3	Blower	R03029029158
4	Bush, Fan	R11014023775
5	Assy. Heat Exchanger	R50024072203
6	Piping Clamp	R12014071297
7	Assy. Drain Pan	R50124068171
8	Drain Hose	R10024015319
9	Assy. Control Box Cover	R50124074814
10	Assy. Control Box	
	A5WMX - 20G	R50044100705
	A5WMX - 20GR	R50044100707
	A5WMX - 25G	R50044100706
	A5WMX - 25GR	R50044100708

No	Description	Part Number
11	Assy. Front Cover A	R50124074743
12	Assy. Air Discharge	R50124071426
13	Air Filter	
	Nanosilver	R12014080142
	Nanovis	R12014080144
14	Louver, Bottom	R12014066821
15	Handset, Wireless G18	
	A5WMX - 10G	R04084100951
	A5WMX - 10GR	R04084100952
	A5WMX - 15G	R04084100951
	A5WMX - 15GR	R04084100952
16	Assy. Mounting Plate	R50014036133
17	Motor, Air Swing	R03039022933
18	Louver, Top	R12014066820

Note: All exploded view and part list are subjected to change by the manufacturer without prior notice



**OUTDOOR UNIT**  
**MODEL : A5MSX20A/AR**

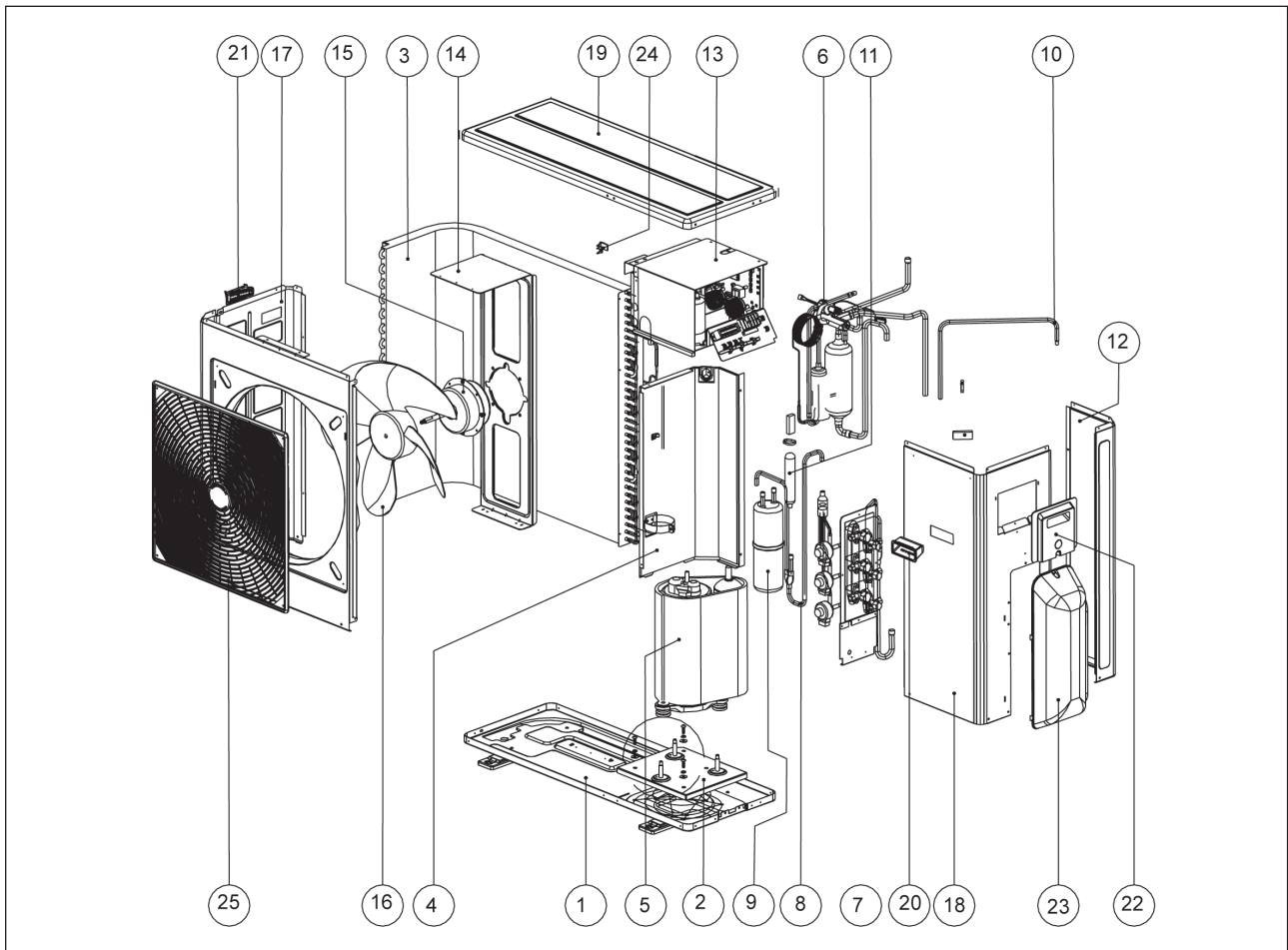


No	Description	Part Number
1	Assy. Base Pan	R50014073830
2	Assy. Outdoor Coil	R50024071636
3	Panel, Partition	R01014072818
4	Assy. Compressor	R50049024264
5	Bracket, Fan Motor	R01014070948
6	Fan Motor	R03039024770
7	Fan Blade	R03019023393
8	Assy. Valve Bracket	
	A5MSX - 20A	R50024088110
	A5MSX - 20AR	R50024074217
9	Assy. Valve 4 Ways	
	A5MSX - 20AR	R50024074210
10	Filter Drier	R02169024287
11	Assy. Control Box	
	A5MSX - 20A	R50044102495
	A5MSX - 20AR	R50044102492
12	Assy. Service Panel	R50014076979

No	Description	Part Number
13	Valve Cover	R12014057544
14	Front/Left Panel	R01014070947
15	Right Back Panel	R01014070950
16	Top Panel	R01014070596
17	Assy. Front Grille	R50124072880
18	Holder, Thermistor	R12014016707
19	Handle	R12014057948
20	Access Panel	R50124017615
21	Front Handle	R12014070955
Parts Not in Diagram		
	Assy. Cap Tube	R50024074209
	Valve, Rev 4 Ways	R05019016937
	Flare Valve 2 ways 1/4"	R50054074219
	Flare Valve 3 ways 3/8"	R50054074218
	Valve, EXV	R05019024212
	Accumulator	R02114066381

Note: All exploded view and part list are subjected to change by the manufacturer without prior notice

**OUTDOOR UNIT**  
**MODEL : A5MSX25A/AR**



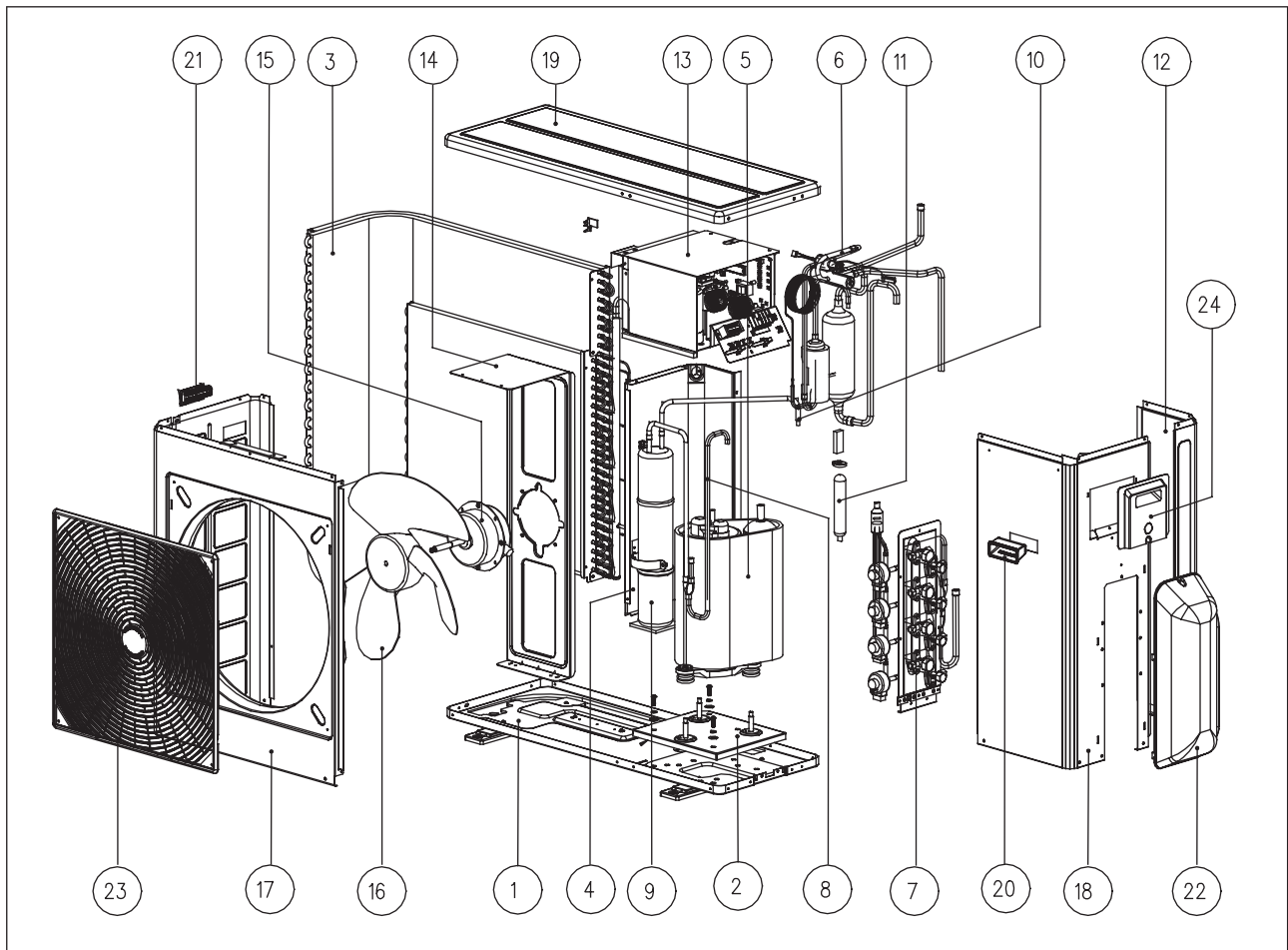
No	Description	Part Number
1	Assy. Base Pan	R50014081766
2	Assy. Mounting Plate, Compressor	R50014081839
3	Assy. Outdoor Coil	R50024082873
4	Panel, Partition	R01014072818
5	Assy. Compressor	R50049025599
6	Valve, Rev 4 Ways	R05019016937
7	Assy. Valve Bracket	R50024082278
8	Assy. Filter Drier	R50024082277
9	Liquid Receiver	R02119026013
10	Tube, Liquid Receiver to Condenser	R02014082177
11	Filter Drier	R02169024287
12	Right Back Panel	R01014070950
13	Assy. Control Box	
	A5MSX - 25A	R50044102496
	A5MSX - 25AR	R50044102493

No	Description	Part Number
14	Bracket, Fan Motor	R01014070948
15	Fan Motor	R03039024771
16	Fan Blade	R03019023393
17	Front/Left Panel	R01014070947
18	Assy. Service Panel	R50014076979
19	Top Panel	R01014070596
20	Handle	R12014015328
21	Front Handle	R12014070955
22	Access Panel	R50124017615
23	Valve Cover	R12014057544
24	Holder, Thermistor	R12014016707
25	Assy. Front Grille	R50124072880
Parts Not in Diagram		
	Assy. Cap Tube	R50024082874
	Jacket, Compressor	R06074082332
	Accumulator	R02114066381

Note: All exploded view and part list are subjected to change by the manufacturer without prior notice

**OUTDOOR UNIT**

**MODEL : A5MSX30A/AR**



No	Description	Part Number
1	Assy. Base Pan	R50014081766
2	Assy. Mounting Plate, Compressor	R50014081839
3	Assy. Outdoor Coil	R50024082173
4	Panel, Partition	R01014082178
5	Assy. Compressor	R50049025599
6	Valve, Rev 4 Ways	R05019016937
7	Assy. Valve Bracket	R50024081869
8	Assy. Filter Drier	R50024088175
9	Assy. Liquid Receiver	R50064088183
10	Tube, Liquid Receiver to Condenser	R02014088177
11	Filter Drier	R02169024287
12	Right Back Panel	R01014070950
13	Assy. Control Box	
	A5MSX - 25A	R50044102497
	A5MSX - 25AR	R50044102494
14	Bracket, Fan Motor	R01014070948

No	Description	Part Number
15	Fan Motor	R03039024771
16	Fan Blade	R03019023393
17	Front/Left Panel	R01014070947
18	Assy. Service Panel	R50014076979
19	Top Panel	R01014070596
20	Front Handle	R12014070955
21	Handle	R12014015328
22	Valve Cover	R12014057544
23	Assy. Front Grille	R50124072880
24	Access Panel	R50124017615
Parts Not in Diagram		
	Assy. Cap Tube	R50024082293
	Jacket, Compressor	R06074082332
	Holder, Thermistor	R12014016707
	Accumulator	R02114066381

Note: All exploded view and part list are subjected to change by the manufacturer without prior notice



While utmost care is taken in ensuring that all details in the publication are correct at time of going to press, we are constantly striving for improvement and therefore reserve the rights to alter model specifications and equipment without prior notice. Details of specifications and equipment are also subject to change to suit local conditions and requirements and not all models are available in every market.