

2 RCT Range of cast iron boilers suitable for use with Gas or Oil
(Output range 27 kW to 97 kW)

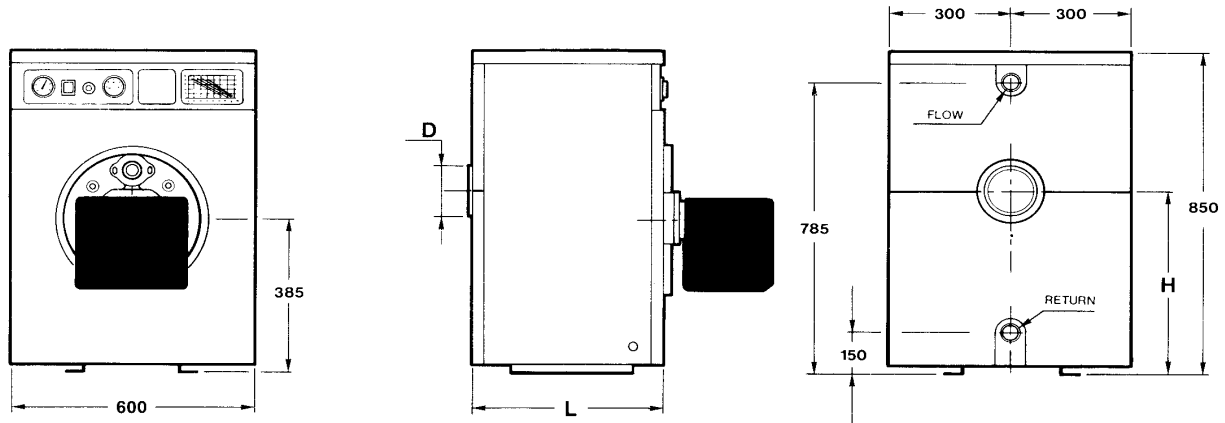
(efficiency: over 90%)



There are 8 models of the 2 RCT range of boilers with rates from 27 kW (92,124 Btu/hr) to 97,2 kWn (331,646 Btu/hr). The cast iron heat exchanger incorporates 3 flue passes to ensure maximum heat transfer and the boilers are comprehensively insulated with a special material in order to minimise heat loss and to reduce combustion noises.

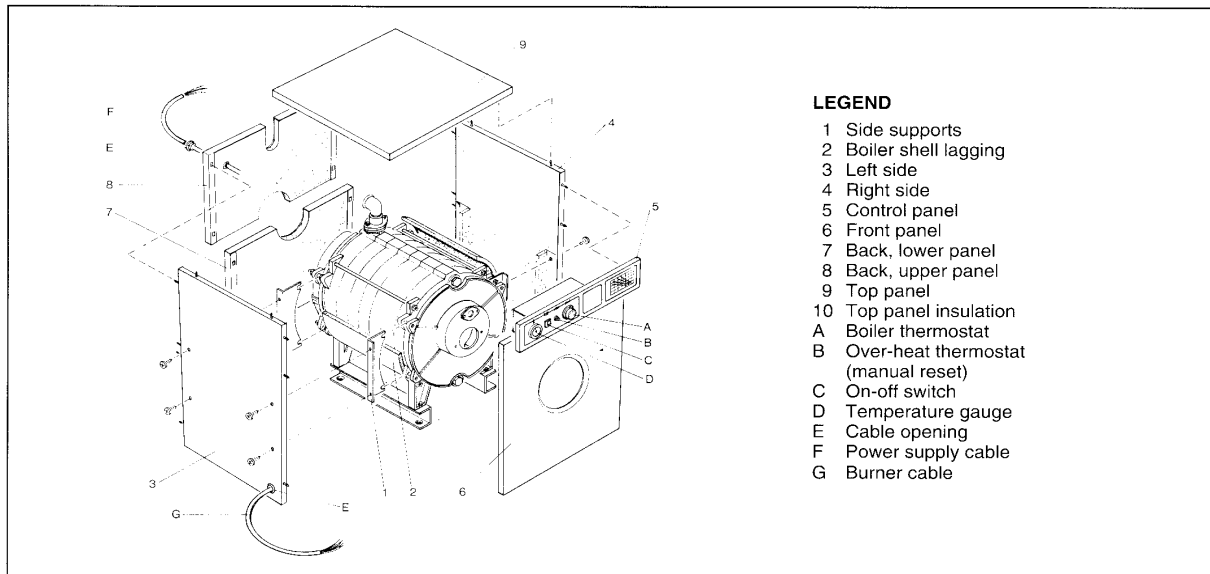
Research and development by our engineers has resulted in this well designed, high efficiency and energy conserving series which combines outstanding reliability and high manufacturing quality with an aesthetically pleasing appearance. The specification includes for a user friendly console which incorporates a temperature gauge, an on/off illuminated switch, a thermostat and manual reset limit thermostat with an overheat indication light. The boilers are suitable for use with gas or oil as required and return maintainable efficiencies of 90% heat to water and it is for this reason that we have named them "high efficiency".

Technical data and overall dimensions mm



Type	HEAT INPUT			HEAT OUTPUT			DIMENSIONS			Flow and return connections	Water-content Lt	Weight Kg
	kW	kcal/h	BTU	kW	kcal/h	BTU	L	H	D			
2 RCT 4	29.9	26,700	101,977	27.0	23,200	92,057	385	475	150	1 1/4"	16	133
2 RCT 5	39.1	33,600	133,324	35.5	30,500	121,024	440	475	150	1 1/4"	19	150
2 RCT 6	49.1	42,200	167,449	44.2	38,000	150,784	495	475	150	1 1/4"	22	166
2 RCT 7	59.1	50,800	201,674	53.5	46,000	182,528	550	475	150	1 1/4"	25	183
2 RCT 8	69.0	59,300	235,302	62.8	54,000	214,272	620	460	180	1 1/4"	28	201
2 RCT 9	78.4	67,400	267,443	70.9	61,000	242,048	675	460	180	1 1/4"	31	216
2 RCT 10	87.6	75,300	298,790	79.1	68,000	269,824	740	480	180	1 1/4"	34	234
2 RCT 11	96.8	83,300	330,534	87.0	75,000	297,500	795	460	180	1 1/4"	37	251

Max. working pressure: 4 bar.



LEGEND

- 1 Side supports
- 2 Boiler shell lagging
- 3 Left side
- 4 Right side
- 5 Control panel
- 6 Front panel
- 7 Back, lower panel
- 8 Back, upper panel
- 9 Top panel
- 10 Top panel insulation
- A Boiler thermostat
- B Over-heat thermostat (manual reset)
- C On-off switch
- D Temperature gauge
- E Cable opening
- F Power supply cable
- G Burner cable