

# H<sub>2</sub>O Bath

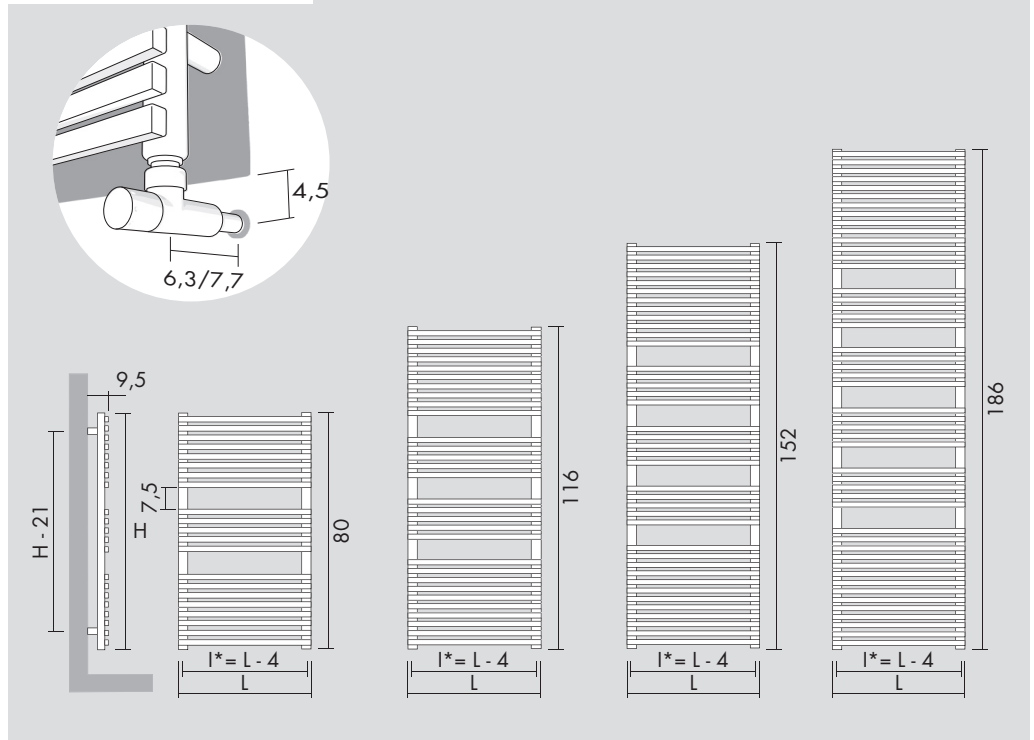
UNI EN 442 Δt 50° 75°/65°/20° - Δt 30° 55°/45°/20°



Kcal = Watt x 0.860  
BTU = Watt x 3.413

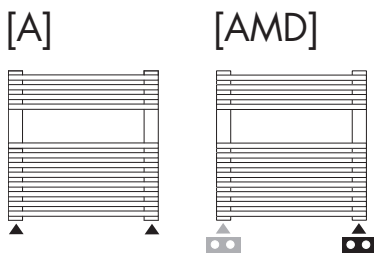
Watt Δt 60° = Watt Δt 50° x 1.247  
Watt Δt 40° = Watt Δt 50° x 0.763  
Watt Δt 30° = Watt Δt 50° x 0.539  
Watt Δt 20° = Watt Δt 50° x 0.390

p max = 10.0 bar

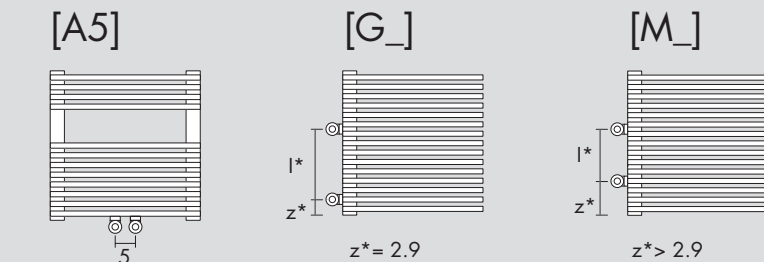


H cm	L cm	I* cm	art*	[B] STOCK	Lt*	watt Δt 30°	watt Δt 50°	watt Δt 30°	watt Δt 50°
80.0	40.0	36.0	<b>HB20S040080</b>	STOCK	4.1	180	<b>334</b>	122	<b>227</b>
80.0	50.0	46.0	<b>HB20S050080</b>	STOCK	4.7	224	<b>416</b>	153	<b>283</b>
80.0	60.0	56.0	<b>HB20S060080</b>	STOCK	5.3	267	<b>495</b>	181	<b>336</b>
116.0	40.0	36.0	<b>HB20S040116</b>	STOCK	5.8	258	<b>479</b>	175	<b>325</b>
116.0	50.0	46.0	<b>HB20S050116</b>	STOCK	6.7	319	<b>592</b>	217	<b>403</b>
116.0	60.0	56.0	<b>HB20S060116</b>	STOCK	7.6	379	<b>704</b>	258	<b>479</b>
152.0	40.0	36.0	<b>HB20S040152</b>	STOCK	7.6	332	<b>616</b>	226	<b>419</b>
152.0	50.0	46.0	<b>HB20S050152</b>	STOCK	8.8	410	<b>761</b>	279	<b>518</b>
152.0	60.0	56.0	<b>HB20S060152</b>	STOCK	9.9	488	<b>906</b>	332	<b>616</b>
186.0	40.0	36.0	<b>HB20S040186</b>	STOCK	9.3	410	<b>761</b>	279	<b>518</b>
186.0	50.0	46.0	<b>HB20S050186</b>	STOCK	10.8	498	<b>924</b>	338	<b>628</b>
186.0	60.0	56.0	<b>HB20S060186</b>	STOCK	12.2	593	<b>1 100</b>	403	<b>748</b>

Standard connection / Raccord standard  
Standard Anschluss / Conexión estándar



Special connection / Raccord spéciale / Speziell Anschluss / Conexión especial



Replace \_ with connection S (Left) or D (Right). / Remplacer le \_ avec raccordement S (Gauche) ou D (Droite). /  
Um linker oder rechter Anschluss zu bestellen, bitte das Symbol \_ mit S (links) oder D (rechts) ersetzen. /  
Sustituir el \_ con las conexiones S (Izquierda) o D (Derecha).

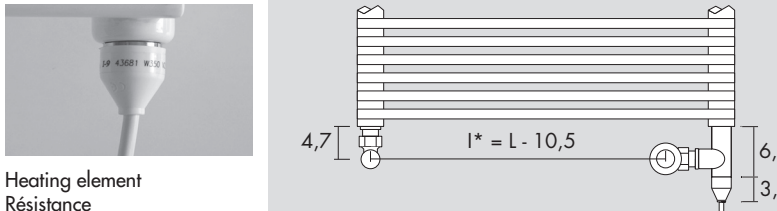
art\* = item / modèle / Artikel / artículo    I\* = pipe centres / distance entre depart et retour / Achsabstand / distancia entre las conexiones  
Lt\* = water content for each element / volume d'eau pour chaque element / Wassergehalt für Element / contenido de agua por cada elemento

Dual application with schuko plug / Version mixte avec prise schuko / Kombimodell mit Schukosteckdose / Versión mixta con enchufe schuko

H cm	L cm	I* cm	art*	[B] STOCK	Lt*	watt Δt 30°	watt Δt 50°	watt
80.0	40.0	29.5	<b>MC HB20S040080</b>	STOCK	4.1	180	<b>334</b>	350
80.0	50.0	39.5	<b>MC HB20S050080</b>	STOCK	4.7	224	<b>416</b>	350
80.0	60.0	49.5	<b>MC HB20S060080</b>	STOCK	5.3	267	<b>495</b>	500
116.0	40.0	29.5	<b>MC HB20S040116</b>	STOCK	5.8	258	<b>479</b>	500
116.0	50.0	39.5	<b>MC HB20S050116</b>	STOCK	6.7	319	<b>592</b>	500
116.0	60.0	49.5	<b>MC HB20S060116</b>	STOCK	7.6	379	<b>704</b>	700
152.0	40.0	29.5	<b>MC HB20S040152</b>	STOCK	7.6	332	<b>616</b>	500
152.0	50.0	39.5	<b>MC HB20S050152</b>	STOCK	8.8	410	<b>761</b>	700
152.0	60.0	49.5	<b>MC HB20S060152</b>	STOCK	9.9	488	<b>906</b>	700
186.0	40.0	29.5	<b>MC HB20S040186</b>	STOCK	9.3	410	<b>761</b>	700
186.0	50.0	39.5	<b>MC HB20S050186</b>	STOCK	10.8	498	<b>924</b>	1 000
186.0	60.0	49.5	<b>MC HB20S060186</b>	STOCK	12.2	593	<b>1 100</b>	1 000

watt Δt 30°	watt Δt 50°	watt
-	-	-
-	-	-
181	<b>336</b>	350
175	<b>325</b>	350
217	<b>403</b>	350
258	<b>479</b>	500
226	<b>419</b>	350
279	<b>518</b>	500
332	<b>616</b>	500
279	<b>518</b>	500
338	<b>628</b>	500
403	<b>748</b>	700


### Standard



Heating element  
Résistance  
Heizstab  
Resistencia

4,7 | I\* = L - 10,5 | 6,7 | 3,3

### Optional



Receiver  
Récepteur  
Empfänger  
Receptor

Digital chronothermostat  
Chronothermostat digital  
Der digital Chronothermostat  
Cronotermostato digital


**R10 • 100**      **T11 • 130**

Dual electric element with thermostat / Mixte résistance avec thermostat / Kombimodell mit Raumthermostat / Versión mixta con termostato ambiente

H cm	L cm	I* cm	art*	[B] STOCK	Lt*	watt Δt 30°	watt Δt 50°	watt
80.0	40.0	29.5	<b>MT HB20S040080</b>	STOCK	4.1	180	<b>334</b>	350
80.0	50.0	39.5	<b>MT HB20S050080</b>	STOCK	4.7	224	<b>416</b>	350
80.0	60.0	49.5	<b>MT HB20S060080</b>	STOCK	5.3	267	<b>495</b>	500
116.0	40.0	29.5	<b>MT HB20S040116</b>	STOCK	5.8	258	<b>479</b>	500
116.0	50.0	39.5	<b>MT HB20S050116</b>	STOCK	6.7	319	<b>592</b>	500
116.0	60.0	49.5	<b>MT HB20S060116</b>	STOCK	7.6	379	<b>704</b>	700
152.0	40.0	29.5	<b>MT HB20S040152</b>	STOCK	7.6	332	<b>616</b>	500
152.0	50.0	39.5	<b>MT HB20S050152</b>	STOCK	8.8	410	<b>761</b>	700
152.0	60.0	49.5	<b>MT HB20S060152</b>	STOCK	9.9	488	<b>906</b>	700
186.0	40.0	29.5	<b>MT HB20S040186</b>	STOCK	9.3	410	<b>761</b>	700
186.0	50.0	39.5	<b>MT HB20S050186</b>	STOCK	10.8	498	<b>924</b>	1 000
186.0	60.0	49.5	<b>MT HB20S060186</b>	STOCK	12.2	593	<b>1 100</b>	1 000

watt Δt 30°	watt Δt 50°	watt
-	-	-
-	-	-
181	<b>336</b>	350
175	<b>325</b>	350
217	<b>403</b>	350
258	<b>479</b>	500
226	<b>419</b>	350
279	<b>518</b>	500
332	<b>616</b>	500
279	<b>518</b>	500
338	<b>628</b>	500
403	<b>748</b>	700

### Standard

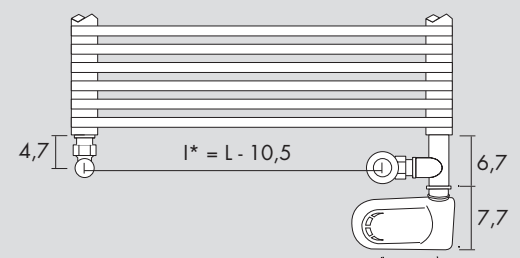


(P\* = 221)

Thermostat  
Thermostat  
Der Thermostat  
Termostato


[BIAN] [CROM]

Infrared remote control  
Télécommande infrarouge  
Infrarot-Fernbedienung  
Mando por infrarrojos



4,7 | I\* = L - 10,5 | 6,7 | 7,7


### Optional



(P\* = 224)

Angled Valve  
Vanne équerre  
Eckausführung Ventil  
Válvula a escuadra


[BIAN] **E12SQB**  
[CROM] **E12SQR**



(P\* = 226)

Thermostatic head  
Tête thermostatique  
Thermostatkopf  
Cabezal termostático


[BIAN] **TTB**  
[CROM] **TTR**



(I\* = 5 cm)


Sleeving kit  
Kit couvre tuyau  
Rosetten  
Kit cubre tubo

[BIAN] **C5B**  
[CROM] **C5R**



Ø ≤ 16 mm  
[BIAN] **CTB**  
[CROM] **CTR**

16 mm < Ø < 24 mm  
[BIAN] **CWB**  
[CROM] **CWR**



(2 pz.)  
(P\* = 220)

Towel hooks  
Paire de patère  
Crochet das Bugel  
Percha

[INOX] **3A20X**

art\* = item / modèle / Artikel / artículo    I\* = pipe centres / distance entre depart et retour / Achsabstand / distancia entre las conexiones  
 Lt\* = water content for each element / volume d'eau pour chaque element / Wassergehalt für Element / contenido de agua por cada elemento  
 P\* = page / page / Seite / página